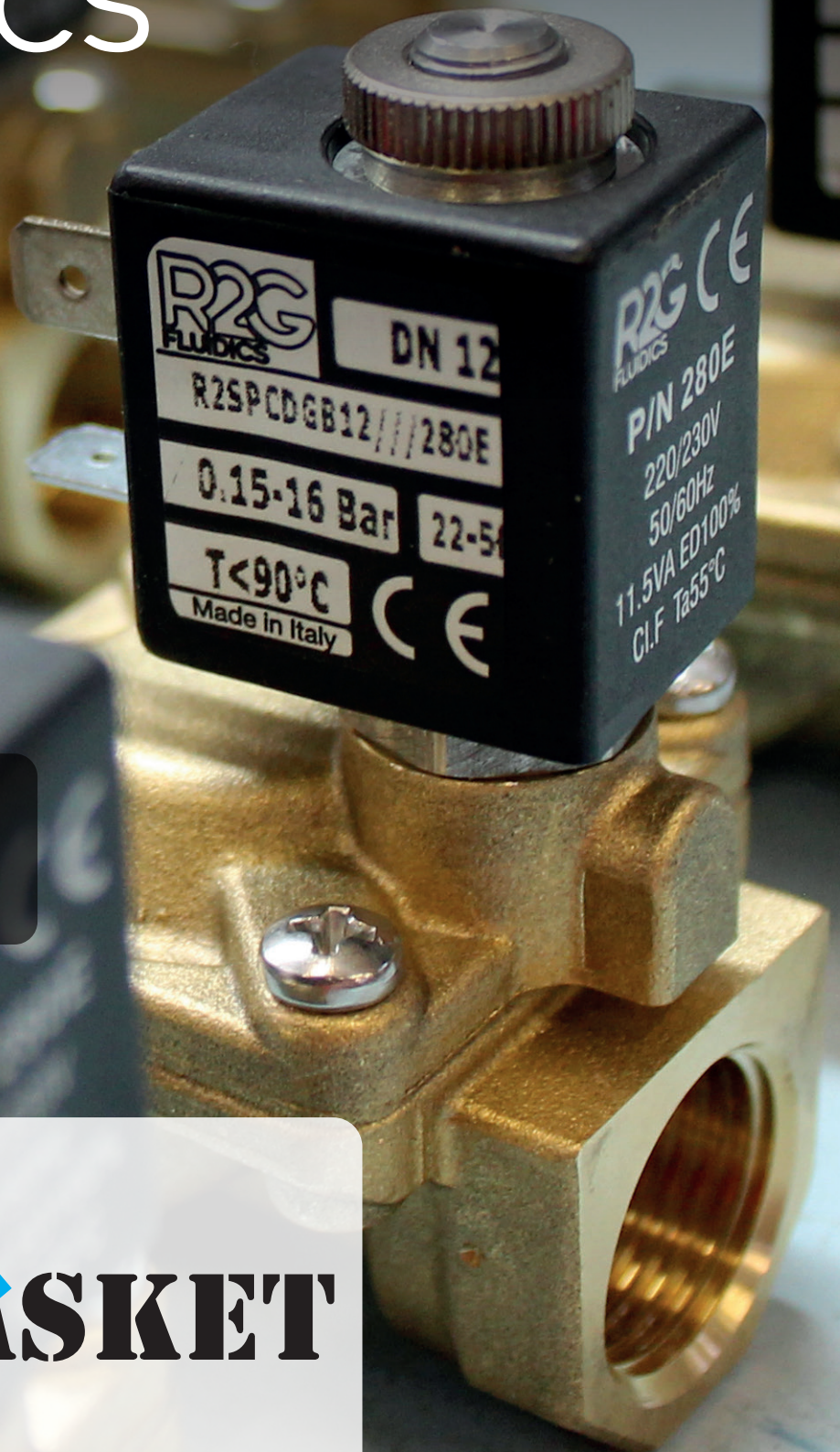


R2G FLUIDICS

CATALOGUE 2026



**DIFFERENT
IN QUALITY**

UNIGASKET

SOMMARIO

2 WAYS DIRECT ACTING

Serie R2AB Normally Closed	6
Serie R2IB Normally Closed	7
Serie R2AC Normally Closed	8
Serie R2AC Normally Closed	9
Serie R2XB Normally Closed	10
Serie R2XC Normally Closed	11
Serie R2IC Normally Closed	12
Serie R2IC Normally Closed	13
Serie R2AB Normally Open	14
Serie R2AC Normally Open	15
Serie R2XC Normally Open	16

2 WAYS INDIRECT ACTING

Serie R2SP-R2SR Normally Closed	18
Serie R2SP-R2SR Normally Open	19
Serie R2MG Normally Closed	20
Serie R2HP Normally Closed High Pressure	21

2 WAYS COMBINED ACTING

Serie R2MH Normally Closed	23
Serie R2IH Normally Closed	24

3 WAYS DIRECT ACTING

Serie R2ABT Normally Closed	26
Serie R2ACT Normally Closed	27
Serie R2ACT Universal	28
Serie R2XCT Normally Closed	29
Serie R2IBT Normally Closed	30
Serie R2ICT Normally Closed	31
Serie R2ICT Universal	32

PILOTS DIRECT ACTING

Serie R2KT Armature tube 10mm Normally Closed	34
Serie R2KT Armature tube 13mm Normally Closed	35
Serie R2KT Armature tube 10mm Normally Open	36
Serie R2KT Armature tube 13mm Normally Open	37
Serie R2KT Armature tube 13mm Normally Closed	38

2 WAYS ANGLE SEAT VALVES

Serie R2SI Air Actuated Angle Seat Valve	40
--	----

2 WAYS DIRECT ACTING - ATEX VERSION

Serie R2AC-EX Normally Closed	42
Serie R2IC-EX Normally Closed	43

2 WAYS INDIRECT ACTING - ATEX VERSION

Serie R2SP-R2SR-EX Normally Closed	45
------------------------------------	----

2 WAYS COMBINED ACTING - ATEX VERSION

Serie R2MH-EX Normally Closed	47
Serie R2IH-EX Normally Closed	48

3 WAYS DIRECT ACTING - ATEX VERSION

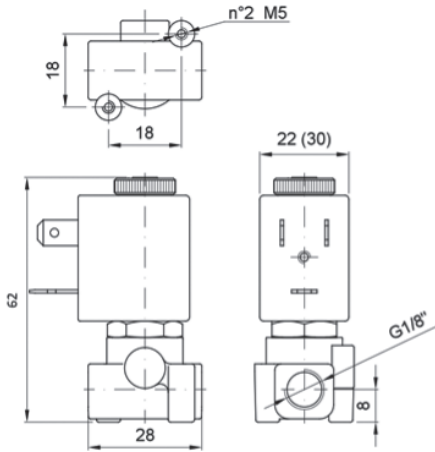
Serie R2ACT-EX Normally Closed	50
Serie R2ICT-EX Normally Closed	51

ACCESSORIES

Serie 2800/2200 - 22mm coil - 10mm Armature Tube	53
Serie 3A00 - 30mm Coil - 10mm Armature Tube	54
Serie 3000 - 30mm Coil - 13mm Armature Tube	55
Serie 3600 - 36mm Coil - 13mm Armature Tube	56
Electrical plug Serie 412 / 413	57
Serie R2SC Automatic Drain System	58

2 Ways Direct Acting





2/2 Serie R2AB Normally Close

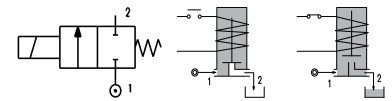
CODE	Connection G ISO 228	Orifice mm	Kv M ³ /h	Differential Pressure (bar)			Coil		Seal	Temp. Range °C
				Min	Max		Series	Width (mm)		
					AC	DC				
R2ABCAG#12/// Coil	1/8"	1.2	0.045	0	25	25	2800	22	NBR=B	-10 +90
R2ABCAG#15/// Coil		1.5	0.06	0	16	16				
R2ABCAG#20/// Coil		2.0	0.09	0	12	10				
R2ABCAG#25/// Coil		2.5	0.15	0	8	6				
R2ABCAG#30/// Coil		3.0	0.20	0	5	3				
R2ABCAG#40/// Coil	4.0	0.35	0	4	2	3A00	30	EPDM=E	-10 +160	
R2ABCAG#20/// Coil	1/8"	2.0	0.09	0	25					15
R2ABCAG#25/// Coil		2.5	0.15	0	16					8
R2ABCAG#30/// Coil		3.0	0.20	0	8					5
R2ABCAG#40/// Coil		4.0	0.35	0	5					3

: Please select the sealing type required
 Example: R2ABAGB25//2801: ISO G1/8"NBR
 Coil 24V DC 7W

Note: For Industrial Oxygen use application FKM sealing have to be used and Max pressure is limited to 25 bar
 Example: R2ABAGV25/0/2801 G1/8" 2,5mm FKM 24VDC

Coils

SERIE	Coil P/N	Voltage	Nominal Power			Electrical connection	Connectors
			AC VA Inrush	AC VA Holding	DC Watt		
Series 2800 Width 22mm	2801	24 DC	-	-	7	Industrial Standard 22 mm	On Demand
	280B	24 AC	11,5	9	-		
	280D	110 AC	11,5	9	-		
	280E	230 AC	11,5	9	-		
Series 3A00 Width 30mm	3A01	24 DC	-	-	5	DIN 43650A	On Demand
	3A0B	24 AC	11	8,5	-		
	3A0E	230 AC	11	8,5	-		



DESCRIPTION

- Solenoid valve 2 ways, direct acting type.
- Brass body CW617N.
- Switching-On time 15ms.
- Switching-Off time 20ms.

CONSTRUCTION

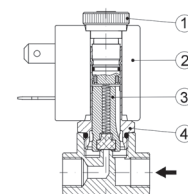
- Body: Brass CW614N
- Armature tube: Brass CW614N
- Plunger and core: Stainless steel - 430Fr
- Springs: Stainless steel - Aisi 302
- Seal material: NBR - FPM - EPDM

FEATURES

- Maximum allowable pressure: 100bar*
- Maximum fluid viscosity: 27cSt (mm²/s)
- Ambient temperature:
 Class F coil -10°C +55°C
 Class H coil -10°C +80°C
- Above 80°C please consult our tech department for the application fine tuning
- Universal mounting

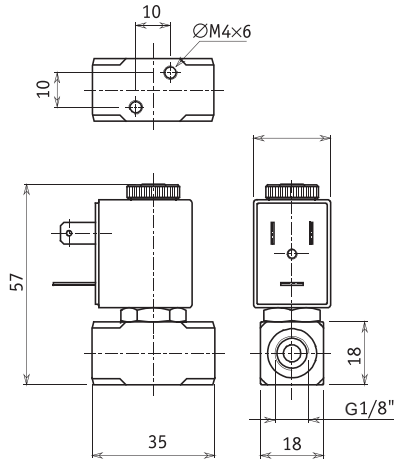
OPTIONS

- Manual override
- Degreased for Industrial Oxygen use
- Electroless nickel plating
- Others on request



SPARE PARTS

1. Coil fixing nut
2. Coil
3. Mobile plunger assembly
4. Armature tube kit



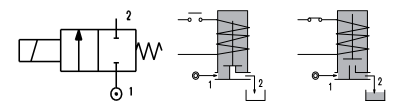
2/2 Serie R2IB Normally close

CODE	Connection G ISO 228	Orifice mm	Kv M ³ /h	Differential Pressure (bar)			Coil		Seal	Temp. Range °C
				Min	Max		Series	Width (mm)		
					AC	DC				
R2IBCAG#12/// Coil	1/8"	1.2	0.045	0	25	25	2800	22	NBR=B	-10 +90
R2IBCAG#20/// Coil		2.0	0.09	0	12	10				-10 +160
R2IBCAG#40/// Coil		4.0	0.35	0	4	2				-10 +160
R2IBCAG#20/// Coil	1/8"	2.0	0.09	0	25	15	3A00	30	FPM=V	-10 +160
R2IBCAG#40/// Coil		4.0	0.35	0	5	3				

: Please select the sealing type required
 Example: R2IBAGB20///2801: ISO G1/8" NBR
 Coil 24V DC 7W

Note: For Industrial Oxygen use application FKM sealing have to be used and Max pressure is limited to 25 bar
 Example: R2IBAGV20/0/2801 G1/8" 2,0mm FKM 24VDC

SERIE	Coil P/N	Voltage	Nominal Power			Electrical connection	Connectors
			AC VA Inrush	AC VA Holding	DC Watt		
			Series 2800 Width 22mm	2801	24 DC		
	280B	24 AC	11,5	9	-		
	280D	110 AC	11,5	9	-		
	280E	230 AC	11,5	9	-		
Series 3A00 Width 30mm	3A01	24 DC	-	-	5	DIN 43650A	On Demand
	3A0B	24 AC	11	8,5	-		
	3A0E	230 AC	11	8,5	-		



DESCRIPTION

- Solenoid valve 2 ways, direct acting type.
- Stainless Steel body AISI303.
- Switching-On time 15ms.
- Switching-Off time 20ms.

CONSTRUCTION

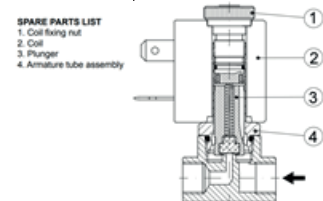
- Body: Stainless Steel AISI303
- Armature tube: S.Steel AISI303
- Plunger and core: Stainless steel - 430Fr
- Springs: Stainless steel - Aisi 302
- Seal material: NBR - FPM - EPDM

FEATURES

- Maximum allowable pressure: 100 bar*
- Maximum fluid viscosity: 27cSt (mm²/s)
- Ambient temperature:
 Class F coil -10°C +55°C
 Class H coil -10°C +80°C
- Above 80°C please consult our tech department for the application fine tuning
- Universal mounting

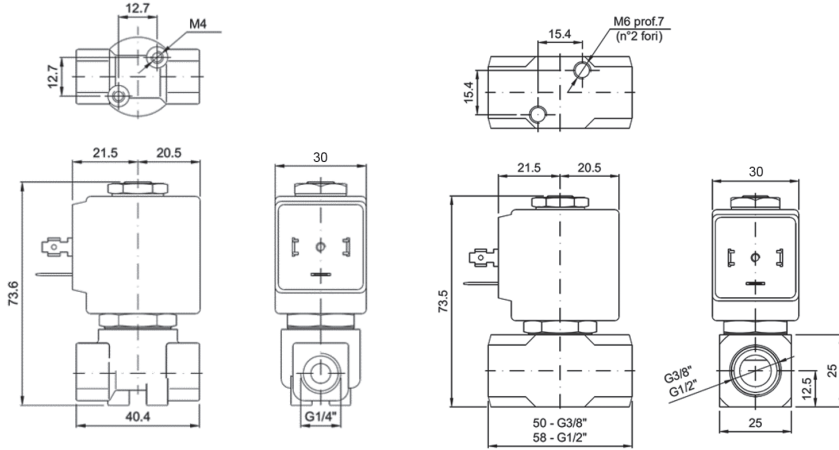
OPTIONS

- /4: DC version without shading ring
- /O: Degreased for Industrial Oxygen use
- /NX: Anticorrosion nanotech treatment on Armature Tube and Mobile Plunger
- Others on request



SPARE PARTS

1. Coil fixing nut
2. Coil
3. Mobile plunger assembly
4. Armature tube kit



2/2 Serie R2AC Normally Close

CODE	Connection G ISO 228	Orifice mm	Kv m3/h	Differential Pressure (bar)			Coil		Seal	Temp. Range °C
				Min	AC	DC	Series	Width (mm)		
R2ACCAG#12/// Coil	1/8"	1.2	0.05	0	100	60	3000	30	NBR=B	-10 +90
R2ACCAG#15/// Coil		1.5	0.07	0	30	25				
R2ACCAG#20/// Coil		2	0.1	0	22	20				
R2ACCAG#25/// Coil		2.5	0.15	0	16	15				
R2ACCAG#30/// Coil		3	0.25	0	15	10				
R2ACCAG#35/// Coil		3.5	0.32	0	10	8				
R2ACCBG#12/// Coil	1/4"	1.2	0.05	0	100	60	3000	30	EPDM=E	-10 +160
R2ACCBG#15/// Coil		1.5	0.07	0	30	25				
R2ACCBG#20/// Coil		2	0.1	0	22	20				
R2ACCBG#25/// Coil		2.5	0.15	0	16	15				
R2ACCBG#30/// Coil		3	0.25	0	15	10				
R2ACCBG#35/// Coil		3.5	0.32	0	10	8				
R2ACCBG#45/// Coil	3/8"	4.5	0.41	0	7	4	3000	30	FPM=V	-10 +160
R2ACCBG#52/// Coil		5.2	0.47	0	4	1.8				
R2ACCCG#30/// Coil		3	0.25	0	15	10				
R2ACCCG#35/// Coil		3.5	0.32	0	10	8				
R2ACCCG#40/// Coil		4	0.36	0	8	5				
R2ACCCG#45/// Coil		4.5	0.41	0	6	4				
R2ACCCG#52/// Coil	1/2"	5.2	0.47	0	4	1.8	3000	30	PTFE=P	-10 +180
R2ACCDG#30/// Coil		3	0.25	0	15	10				
R2ACCDG#35/// Coil		3.5	0.32	0	10	8				
R2ACCDG#40/// Coil		4	0.36	0	8	5				
R2ACCDG#45/// Coil		4.5	0.41	0	6	4				
R2ACCDG#52/// Coil		5.2	0.47	0	4	1.8				

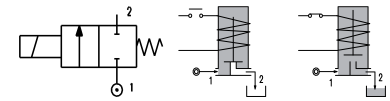
: Please select the sealing type required
Example: R2ACCBG25//300I: ISO G1/4"NBR
Coil 24V DC 24W

REMARK: The maximum allowable pressure PS for steam is 10bar with PTFE seals and 2,5bar with EPDM

Note: For Industrial Oxygen use application use FKM seals and max pressure is limited to 25bar.
Example: R2ACCBG35//300I G1/4" 3,5mm FKM
24V DC 24W

Coils

SERIE	Coil P/N	Voltage	Nominal Power			Electrical connection	Connectors
			AC VA Inrush	AC VA Holding	DC Watt		
Series 3000 Width 30mm	3001	24DC	-	-	10	DIN 43650A	On Demand
	300B	24 AC	15	12	-		
	300E	230 AC	15	12	-		



DESCRIPTION

- Solenoid valve 2 ways, direct acting type.
- Brass body CW617N.
- Switching-On time 18ms.
- Switching-Off time 23ms.

CONSTRUCTION

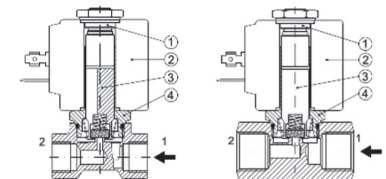
- Body: Brass CW614N
- Armature tube: Stainless steel Aisi 303
- Plunger and core: Stainless steel 430Fr
- Springs: Stainless steel Aisi 302
- Seal material: NBR - FPM - EPDM - PTFE

FEATURES

- Maximum allowable pressure: 100bar*
- Maximum fluid viscosity: 27cSt (mm2/s)
- Ambient temperature:
with class F coil -10°C +55°C
with class H coil -10°C +80°C
- Above 80°C please consult our tech department for the application fine tuning
- Universal mounting position

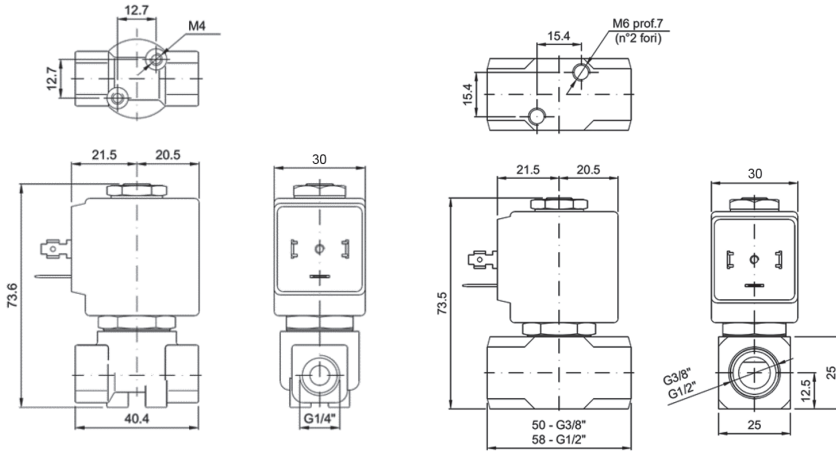
OPTIONS

- Manual override
- /R: Stainless steel orifice (up to 4,5mm orifice)
- Degreased for Industrial Oxygen use
- Electroless nickel plating
- Others on request



SPARE PARTS

1. Coil fixing nut
2. Coil
3. Mobile plunger assembly
4. Armature tube kit



2/2 Serie R2AC Normally Close

CODE	Connection 6 ISO 228	Orifice mm	Kv m3/h	Differential Pressure (bar)		Coil		Seal	Temp. Range °C	
				Min	Max	Series	Width (mm)			
R2ACCAG#12/// Coil	1/8"	1.2	0.05	0	100	3600	36	NBR=B	-10 +90	
R2ACCAG#15/// Coil		1.5	0.07	0	80					
R2ACCAG#20/// Coil		2	0.1	0	50					
R2ACCAG#25/// Coil		2.5	0.15	0	35					
R2ACCAG#35/// Coil		3.5	0.32	0	20					
R2ACCBG#12/// Coil	1/4"	1.2	0.05	0	100	3600	36	EPDM=E	-10 +160	
R2ACCBG#15/// Coil		1.5	0.07	0	80					
R2ACCBG#20/// Coil		2	0.1	0	50					
R2ACCBG#25/// Coil		2.5	0.15	0	35					
R2ACCBG#35/// Coil		3.5	0.32	0	20					
R2ACCBG#45/// Coil	4.5	0.41	0	14	13	3600	36	PTFE=P	-10 +180	
R2ACCBG#52/// Coil	5.2	0.47	0	10	9					
R2ACCCG#30/// Coil	3/8"	3	0.25	0	25					24
R2ACCCG#35/// Coil		3.5	0.32	0	20					19
R2ACCCG#40/// Coil		4	0.36	0	16					15
R2ACCCG#45/// Coil		4.5	0.41	0	14	13				
R2ACCCG#52/// Coil	5.2	0.47	0	10	9	3600	36	PTFE=P	-10 +180	
R2ACCCG#64/// Coil	6.4	0.64	0	5	4					
R2ACCDG#30/// Coil	1/2"	3	0.25	0	25					24
R2ACCDG#35/// Coil		3.5	0.32	0	20					19
R2ACCDG#40/// Coil		4	0.36	0	16					15
R2ACCDG#45/// Coil		4.5	0.41	0	14	13				
R2ACCDG#52/// Coil		5.2	0.47	0	10	9				
R2ACCDG#64/// Coil	6.4	0.64	0	5	4	3600	36	PTFE=P	-10 +180	

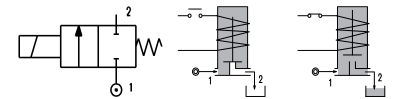
: Please select the sealing type required
Example: R2ACCBG25//360I: ISO G1/4"NBR
Coil 24V DC 27W

REMARK: The maximum allowable pressure PS for steam is 10bar with PTFE seals and 2,5bar with EPDM

Note: For Industrial Oxygen use application use FKM seals and max pressure is limited to 25bar.
Example: R2ACCBGV35//360I G1/4" 3.5mm FKM 24V DC 27W

Coils

SERIE	Coil P/N	Voltage	Nominal Power			Electrical connection	Connectors
			AC VA Inrush	AC VA Holding	DC Watt		
Series 3600 Width 36mm	360I	24DC	-	-	24	DIN 43650A	On Demand
	360B	24 AC	30	24	-		
	360E	230 AC	30	24	-		



DESCRIPTION

- Solenoid valve 2 ways, direct acting type.
- Brass body CW617N.
- Switching-On time 18ms.
- Switching-Off time 23ms.

CONSTRUCTION

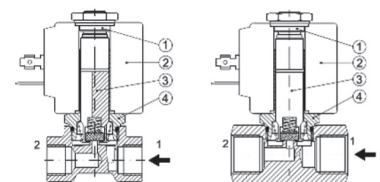
- Body: Brass CW614N
- Armature tube: Stainless steel Aisi 303
- Plunger and core: Stainless steel 430F
- Springs: Stainless steel Aisi 302
- Seal material: NBR - FPM - EPDM - PTFE

FEATURES

- Maximum allowable pressure: 100bar*
- Maximum fluid viscosity: 27cSt (mm2/s)
- Ambient temperature:
 - with class F coil -10°C +55°C
 - with class H coil -10°C +80°C
- Above 80°C please consult our tech department for the application fine tuning
- Universal mounting position

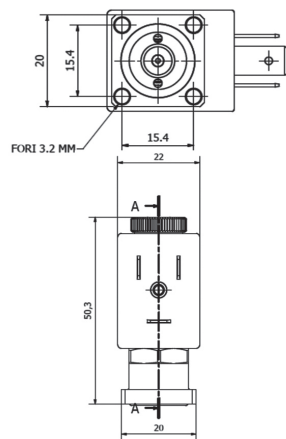
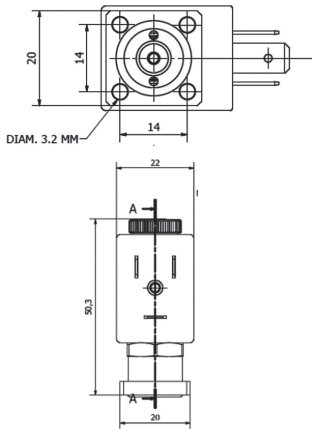
OPTIONS

- Manual override
- /R: Stainless steel orifice (up to 4,5mm orifice)
- Degreased for Industrial Oxygen use
- Electroless nickel plating
- Others on request



SPARE PARTS

1. Coil fixing nut
2. Coil
3. Mobile plunger assembly
4. Armature tube kit



2/2 Serie R2XB Normally Close

CODE	Connection G ISO 228	Orifice mm	Kv m3/h	Differential Pressure (bar)			Coil		Seal	Temp. Range °C
				Min	Max		Series	Width (mm)		
					AC	DC				
R2XBCXG#15/// Coil	Sub Base 20X20 with 14mm fixing holes	1.5	0.06	0	16	16	2800	30	NBR=B	-10 +90
R2XBCXG#20/// Coil		2.0	0.09	0	12	10				-10 +160
R2XCXG#20/// Coil	Sub Base 20X20 with 15,4mm fixing holes	1.5	0.06	0	16	16	2800	30	FPM=V	-10 +160
R2XCXG#25/// Coil		2.0	0.09	0	12	10				-10 +160

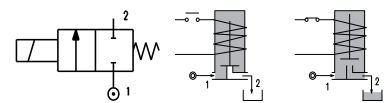
: Please select the sealing type required
Example: R2XBCXGB15///2801: Flanged
1.5mm NBR
Coil 24V DC 7W

REMARK: The maximum allowable pressure PS for steam is 6bar with PTFE seals and 2,5bar with EPDM

Note: For Industrial Oxygen use application use FKM seals and max pressure is limited to 25bar.
Example: R2XBCXGV15/D/2801 1.5mm FKM
Coil 24V DC 7W

Coils

SERIE	Coil P/N	Voltage	Nominal Power			Electrical connection	Connectors
			AC VA Inrush	AC VA Holding	DC Watt		
Series 2800 Width 22mm	2801	24DC	-	-	7	DIN 43650A	On Demand
	280B	24 AC	11,5	9	-		
	280E	230 AC	11,5	9	-		



DESCRIPTION

- Solenoid valve 2 ways, direct acting type.
- Brass body CW617N.
- Switching-On time 15ms.
- Switching-Off time 20ms.

CONSTRUCTION

- Body: Brass CW614N
- Armature tube: Stainless steel Aisi 303
- Plunger and core: Stainless steel 430Fr
- Springs: Stainless steel Aisi 302
- Seal material: NBR - FPM - EPDM

FEATURES

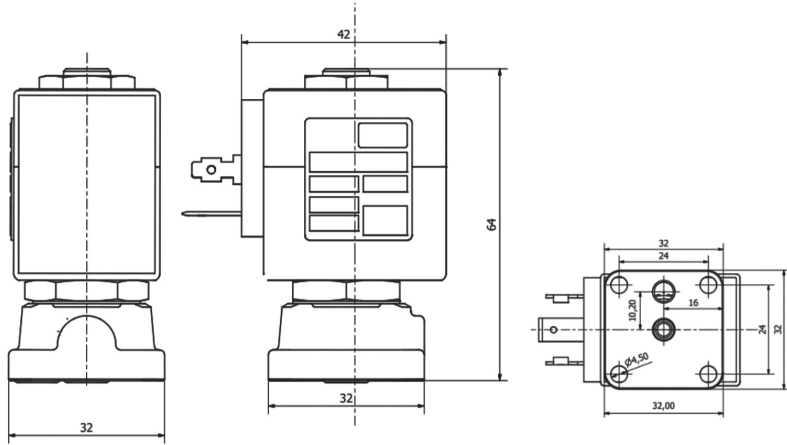
- Maximum allowable pressure: 45bar*
- Maximum fluid viscosity: 27cSt (mm2/s)
- Ambient temperature:
with class F coil -10°C +55°C
with class H coil -10°C +80°C
- Above 80°C please consult our tech department for the application fine tuning
- Universal mounting position

OPTIONS

- Manual override
- Electroless nickel plating
- Others on request

SPARE PARTS

1. Coil fixing nut
2. Coil
3. Mobile plunger assembly
4. Armature tube kit



2/2 Serie R2XC Normally Close

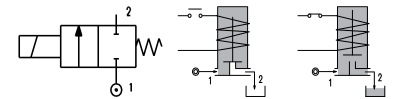
CODE	Connection G ISO 228	Orifice mm	Kv m3/h	Differential Pressure (bar)			Coil		Seal	Temp. Range °C
				Min	AC	DC	Series	Width (mm)		
R2XCCXG#12/// Coil	Sub Base	1.2	0.05	0	100	100	3000	30	NBR=B	-10 +90
R2XCCXG#15/// Coil		1.5	0.07	0	30	25			EPDM=E	-10 +160
R2XCCXG#20/// Coil		2	0.1	0	22	20			FPM=V	-10 +160
R2XCCXG#25/// Coil		2.5	0.15	0	16	15			PTFE	-40 +180

: Please select the sealing type required
Example: R2XCCXG#15///3001: ISO G3/4"NBR
Coil 24V DC 10W

REMARK: The maximum allowable pressure PS for steam is 6bar with PTFE seals and 2.5bar with EPDM

Note: For Industrial Oxygen use application use FKM seals and max pressure is limited to 25bar.
Example: R2XCCXGV35//Q/3001 G1/4" 3,5mm FKM 24V DC 10W

SERIE	Coil P/N	Voltage	Nominal Power			Electrical connection	Connectors
			AC VA Inrush	AC VA Holding	DC Watt		
Series 3000 Width 30mm	3001	24DC	-	-	10	DIN 43650A	On Demand
	300B	24 AC	15	12	-		
	300E	230 AC	15	12	-		



DESCRIPTION

- Solenoid valve 2 ways, direct acting type.
- Brass body CW617N.
- Switching-On time 18ms.
- Switching-Off time 23ms.

CONSTRUCTION

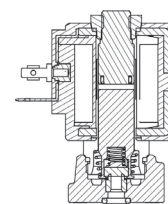
- Body: Brass CW614N
- Armature tube: Stainless steel Aisi 303
- Plunger and core: Stainless steel 430Fr
- Springs: Stainless steel Aisi 302
- Seal material: NBR - FPM - EPDM - PTFE

FEATURES

- Maximum allowable pressure: 100bar*
- Maximum fluid viscosity: 27cSt (mm2/s)
- Ambient temperature:
 - with class F coil -10°C +55°C
 - with class H coil -10°C +80°C
- Above 80°C please consult our tech department for the application fine tuning
- Universal mounting position

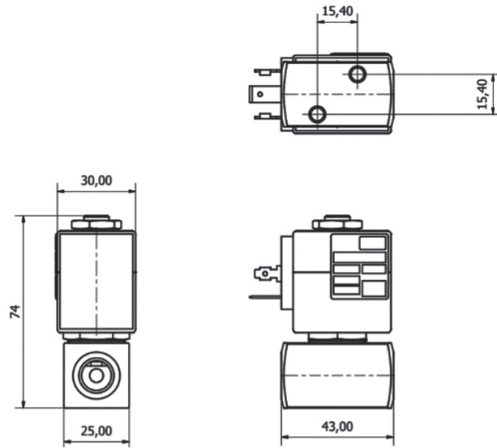
OPTIONS

- Manual override
- Electroless nickel plating
- Others on request



SPARE PARTS

1. Coil fixing nut
2. Coil
3. Mobile plunger assembly
4. Armature tube kit



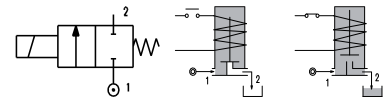
2/2 Serie R2IC Normally Closed

CODE	Connection G ISO 228	Orifice mm	Kv m3/h	Differential Pressure (bar)			Coil		Seal	Temp. Range °C
				Min	Max		Series	Width (mm)		
					AC	DC				
R2ICCBG#15/// Coil	1/4"	1.5	0.07	0	30	26	3000	30	NBR=B	-10 +90
R2ICCBG#20/// Coil		2	0.1	0	22	20				
R2ICCBG#25/// Coil		2.5	0.15	0	16	14				
R2ICCBG#35/// Coil		3.5	0.32	0	10	8				
R2ICCBG#45/// Coil		4.5	0.41	0	6.5	4				
R2ICCBG#52/// Coil		5.2	0.47	0	4	1.8				
R2ICCCG#30/// Coil	3/8"	3	0.25	0	15	10	3000	30	EPDM=E	-10 +160
R2ICCCG#35/// Coil		3.5	0.32	0	10	8				
R2ICCCG#40/// Coil		4	0.36	0	8	5				
R2ICCCG#45/// Coil		4.5	0.41	0	6.5	4				
R2ICCCG#52/// Coil	5.2	0.47	0	4	1.8					
R2ICCDG#30/// Coil	1/2"	3	0.25	0	15	10	3000	30	FPM=V	-10 +160
R2ICCDG#35/// Coil		3.5	0.32	0	10	8				
R2ICCDG#40/// Coil		4	0.36	0	8	5				
R2ICCDG#45/// Coil		4.5	0.41	0	6.5	4				
R2ICCDG#52/// Coil	5.2	0.47	0	4	1.8					

: Please select the sealing type required
Example: R2ICCBGB25///3001: ISO G1/4" NBR
Coil 24V DC 10W

REMARK: The maximum allowable pressure PS for steam is 6bar with PTFE seals and 2,5bar with EPDM

Note: For Industrial Oxygen use application use FKM seals and max pressure is limited to 25bar.
Example: R2ICCBGV35/D/3001 G1/4" 3,5mm FKM
24V DC 10W



DESCRIPTION

- Solenoid valve 2 ways, direct acting type.
- Stainless Steel AISI 303.
- Switching-On time 18ms.
- Switching-Off time 23ms.

CONSTRUCTION

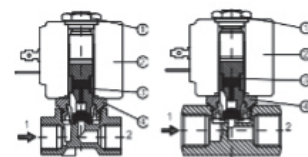
- Body: Stainless Steel AISI 303
- Armature tube: Stainless steel Aisi 303
- Plunger and core: Stainless steel 430Fr
- Springs: Stainless steel Aisi 302
- Seal material: NBR - FPM - EPDM - PTFE

FEATURES

- Maximum allowable pressure: 100bar*
- Maximum fluid viscosity: 27cSt (mm2/s)
- Ambient temperature:
with class F coil -10°C +55°C
with class H coil -10°C +80°C
- Above 80°C please consult our tech department for the application fine tuning
- Universal mounting position

OPTIONS

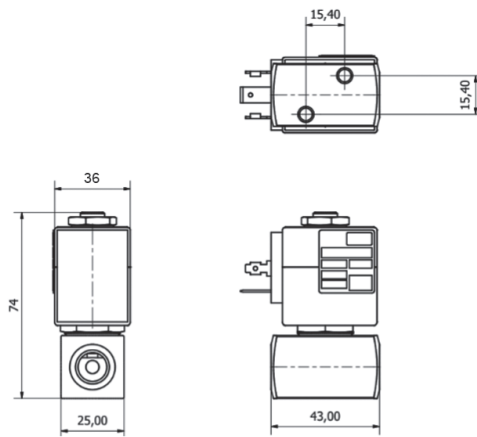
- Manual override
- Degreased for Industrial Oxygen use
- /B: Back pressure resistant (for more details ask our tech. dept.)
- Others on request



SPARE PARTS

1. Coil fixing nut
2. Coil
3. Mobile plunger assembly
4. Armature tube kit

SERIE	Product Serie	Voltage	Nominal Power			Electrical connection	Connectors
			AC VA Inrush	AC VA Holding	DC Watt		
Series 3000 Width 30mm	3001	24DC	-	-	10	DIN 43650A	On Demand
	300B	24 AC	15	12	-		
	300E	230 AC	15	12	-		



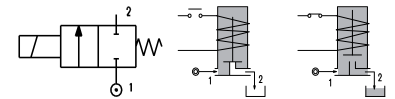
2/2 Serie R2IC Normally Closed

CODE	Connection G ISO 228	Orifice mm	Kv m3/h	Differential Pressure (bar)			Coil		Seal	Temp. Range °C
				Min	Max		Series	Width (mm)		
					AC	DC				
R2ICCBG#15/// Bob.	1/4"	1.5	0.07	0	80	80	3600	36	NBR=B	-10 +90
R2ICCBG#20/// Bob.		2	0.1	0	50	40				
R2ICCBG#25/// Bob.		2.5	0.15	0	35	32				
R2ICCBG#35/// Bob.		3.5	0.32	0	20	19				
R2ICCBG#45/// Bob.		4.5	0.41	0	14	13				
R2ICCBG#52/// Bob.	5.2	0.47	0	10	9			EPDM=E	-10 +160	
R2ICCCG#30/// Bob.	3/8"	3	0.25	0	25	24	3600	36	FPM=V	-10 +160
R2ICCCG#35/// Bob.		3.5	0.32	0	20	19				
R2ICCCG#45/// Bob.		4.5	0.41	0	14	13				
R2ICCCG#52/// Bob.		5.2	0.47	0	10	9				
R2ICCDG#30/// Bob.	1/2"	3	0.25	0	25	24	3600	36	PTFE = P	-40 +180
R2ICCDG#35/// Bob.		3.5	0.32	0	20	19				
R2ICCDG#45/// Bob.		4.5	0.41	0	14	13				
R2ICCDG#52/// Bob.		5.2	0.47	0	10	9				

: Please select the sealing type required
Example: R2ICCBG25//3601: ISO G1/4"NBR
Coil 24V DC 24W

REMARK: The maximum allowable pressure PS for steam is 6bar with PTFE seals and 2,5bar with EPDM

Note: For Industrial Oxygen use application use FKM seals and max pressure is limited to 25bar.
Example: R2ICCBG35/O/3601 G1/4" 3,5mm FKM 24V DC 24W



DESCRIPTION

- Solenoid valve 2 ways, direct acting type.
- Stainless Steel AISI 303.
- Switching-On time 18ms.
- Switching-Off time 23ms.

CONSTRUCTION

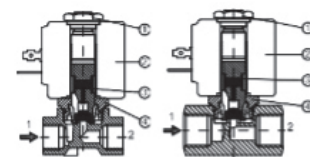
- Body: Stainless Steel AISI 303
- Armature tube: Stainless steel Aisi 303
- Plunger and core: Stainless steel 430Fr
- Springs: Stainless steel Aisi 302
- Seal material: NBR - FPM - EPDM - PTFE

FEATURES

- Maximum allowable pressure: 100bar*
- Maximum fluid viscosity: 27cSt (mm2/s)
- Ambient temperature:
 - with class F coil -10°C +55°C
 - with class H coil -10°C +80°C
- Above 80°C please consult our tech department for the application fine tuning
- Universal mounting position

OPTIONS

- Manual override
- Degreased for Industrial Oxygen use
- /B: Back pressure resistant (for more details ask our tech. dept.)
- Others on request

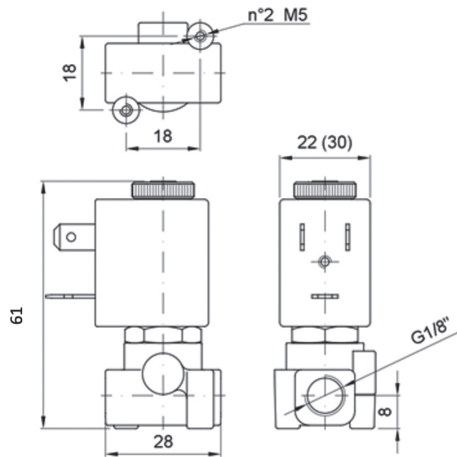


SPARE PARTS

1. Coil fixing nut
2. Coil
3. Mobile plunger assembly
4. Armature tube kit

Coils

SERIE	Product Serie	Voltage	Nominal Power			Electrical connection	Connectors
			AC VA Inrush	AC VA Holding	DC Watt		
Series 3600 Width 36mm	3601	24DC	-	-	24	DIN 43650A	On Demand
	360B	24 AC	30	24	-		
	360E	230 AC	30	24	-		



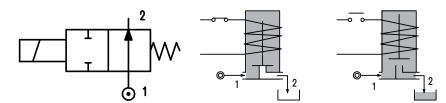
2/2 Serie R2AB Normally Open

CODE	Connection G ISO 228	Orifice mm	Kv M3/h	Differential Pressure (bar)			Coil		Seal	Temp. Range °C
				Min	AC	DC	Series	Width (mm)		
R2ABAAG#12/// Coil	1/8"	1.2	0.04	0	18	18	2200	22	NBR=B	-10 +90
R2ABAAG#15/// Coil		1.5	0.06	0	14	14				
R2ABAAG#20/// Coil		2.0	0.09	0	8	8				
R2ABAAG#25/// Coil		2.5	0.15	0	4	4				
R2ABAAG#30/// Coil		3.0	0.20	0	2.5	2.5				

: Please select the sealing type required
 Example: R2ABAAGB25///2801: ISO G1/8"NBR
 Coil 24V DC 7W

Coils

SERIE	Coil P/N	Voltage	Nominal Power			Electrical connection	Connectors
			AC VA Inrush	AC VA Holding	DC Watt		
Series 2800 Width 22mm	2801	24 DC	-	-	7	Industrial Standard 22 mm	On Demand
	280B	24 AC	11,5	9	-		
	280D	110 AC	11,5	9	-		
	280E	230 AC	11,5	9	-		



DESCRIPTION

- Solenoid valve 2 ways, direct acting type.
- Brass body CW617N.
- Switching-On time 25ms.
- Switching-Off time 10ms.

CONSTRUCTION

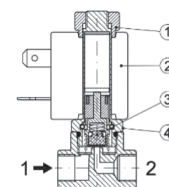
- Body: Brass CW617N
- Armature tube: Brass CW614N
- Plunger and core: Stainless steel - 430Fr
- Springs: Stainless steel - Aisi 302
- Seal material: NBR - FPM - EPDM

FEATURES

- Maximum allowable pressure: 45bar*
- Maximum fluid viscosity: 25cSt (mm2/s)
- Ambient temperature:
 Class F coil -10°C +55°C
 Class H coil -10°C +80°C
- Above 80°C please consult our tech department for the application fine tuning
- Universal mounting

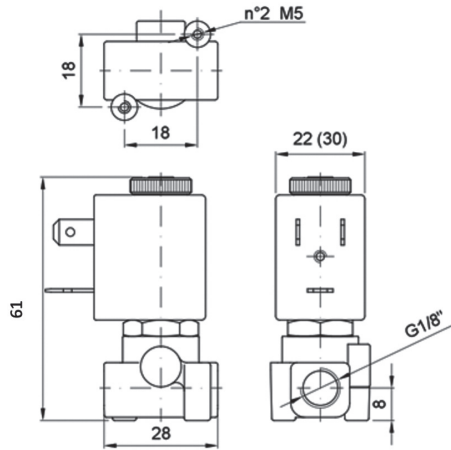
OPTIONS

- Electroless nickel plating
- Others on request



SPARE PARTS

1. Coil fixing nut
2. Coil
3. Mobile plunger assembly
4. Armature tube kit



2/2 Serie R2AC Normally Open

CODE	Connection 6 ISO 228	Orifice mm	Kv m3/h	Differential Pressure (bar)			Coil		Seal	Temp. Range °C
				Min	Max AC DC		Series	Width (mm)		
R2ACAAG#15/// Coil	1/8"	1.5	0.07	0	24	24	3000	30	NBR=B	-10 +90
R2ACAAG#20/// Coil		2	0.1	0	18	18				
R2ACAAG#25/// Coil		2.5	0.15	0	12	12				
R2ACAAG#30/// Coil		3.0	0.25	0	9	9				
R2ACAAG#35/// Coil		3.5	0.32	0	7	7				
R2ACABG#15/// Coil	1/4"	1.5	0.07	0	24	24	3000	30	EPDM=E	-10 +160
R2ACABG#20/// Coil		2	0.1	0	18	18				
R2ACABG#25/// Coil		2.5	0.15	0	12	12				
R2ACABG#30/// Coil		3.0	0.25	0	9	9				
R2ACABG#35/// Coil		3.5	0.32	0	7	7				
R2ACABG#45/// Coil	3/8"	4.5	0.41	0	5	5	3000	30	FPM=V	-10 +160
R2ACABG#52/// Coil		5.2	0.47	0	4	4				
R2ACACG#30/// Coil		3	0.25	0	9	9				
R2ACACG#35/// Coil	1/2"	3.5	0.32	0	7	7	3000	30	FPM=V	-10 +160
R2ACACG#45/// Coil		4.5	0.41	0	5	5				
R2ACADG#30/// Coil		3	0.25	0	9	9				
R2ACADG#35/// Coil	1/2"	3.5	0.32	0	7	7	3000	30	FPM=V	-10 +160
R2ACADG#45/// Coil		4.5	0.41	0	5	5				
R2ACADG#52/// Coil		5.2	0.47	0	4	4				

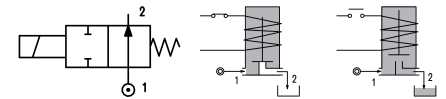
: Please select the sealing type required

Example: R2ACABG25///3001: ISO G1/4"NBR

Coil 24V DC 10W

*REMARK: The maximum allowable pressure PS for steam is 6bar with PTFE seals and 2,5bar with EPDM seals

SERIE	Coil P/N	Voltage	Nominal Power			Electrical connection	Connectors
			AC VA Inrush	AC VA Holding	DC Watt		
Series 3000 Width 30mm	3001	24DC	-	-	10	DIN 43650A	On Demand
	300B	24 AC	15	12	-		
	300D	110 AC	15	12	-		
	300E	230 AC	15	12	-		



DESCRIPTION

- Solenoid valve 2 ways, direct acting type.
- Brass body CW617N.
- Switching-On time 25ms.
- Switching-Off time 10ms.

CONSTRUCTION

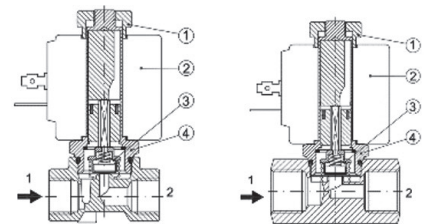
- Body: Brass CW614N
- Armature tube: Stainless steel Aisi 303
- Plunger and core: Stainless steel 430Fr
- Springs: Stainless steel Aisi 302
- Seal material: NBR - FPM - EPDM

FEATURES

- Maximum allowable pressure: 100bar*
- Maximum fluid viscosity: 27cSt (mm2/s)
- Ambient temperature:
 - with class F coil -10°C +55°C
 - with class H coil -10°C +80°C
- Above 80°C please consult our tech department for the application fine tuning
- Universal mounting position

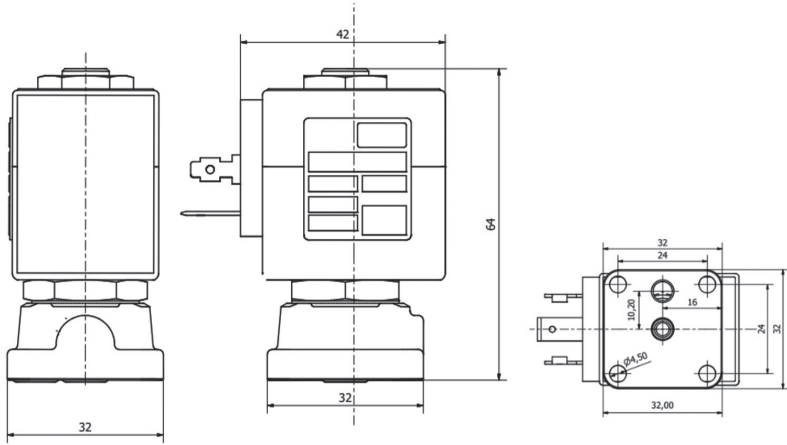
OPTIONS

- Electroless nickel plating
- Others on request



SPARE PARTS

1. Coil fixing nut
2. Coil
3. Mobile plunger assembly
4. Armature tube kit



2/2 Serie R2XC Normally Open

CODE	Connection G ISO 228	Orifice mm	Kv m³/h	Differential Pressure (bar)			Coil		Seal	Temp. Range °C
				Min	Max		Series	Width (mm)		
					AC	DC				
R2XCAXG#15/// Bob.	A Basetta	1.5	0.07	0	24	24			NBR=B	-10 +90
R2XCAXG#20/// Bob.		2	0.1	0	18	18	3000	30	EPDM=E	-10 +160
R2XCAXG#25/// Coil		2.5	0.15	0	12	12			FPM=V	-10 +160

: Please select the sealing type required

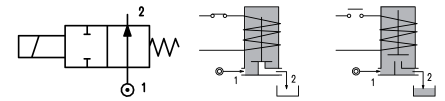
Example: R2XCAXGB25///3001; ISO Sub base NBR

Coil 24V DC 10W

*REMARK: The maximum allowable pressure PS for steam is 6bar with PTFE seals and 2,5bar with EPDM seals

Coils

SERIE	Coil P/N	Voltage	Nominal Power			Electrical connection	Connectors
			AC VA Inrush	AC VA Holding	DC Watt		
Series 3000 Width 30mm	3001	24DC	-	-	10	DIN 43650A	On Demand
	300B	24 AC	15	12	-		
	300E	230 AC	15	12	-		



DESCRIPTION

- Solenoid valve 2 ways, direct acting type.
- Brass body CW617N.
- Switching-On time 25ms.
- Switching-Off time 10ms.

CONSTRUCTION

- Body: Brass CW614N
- Armature tube: Stainless steel Aisi 303
- Plunger and core: Stainless steel 430Fr
- Springs: Stainless steel Aisi 302
- Seal material: NBR - FPM - EPDM

FEATURES

- Maximum allowable pressure: 100bar*
- Maximum fluid viscosity: 27cSt (mm²/s)
- Ambient temperature:
 - with class F coil -10°C +55°C
 - with class H coil -10°C +80°C
- Above 80°C please consult our tech department for the application fine tuning
- Universal mounting position

OPTIONS

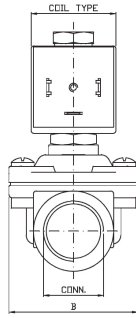
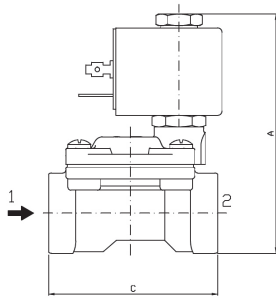
- Electroless nickel plating
- Others on request

SPARE PARTS

1. Coil fixing nut
2. Coil
3. Mobile plunger assembly
4. Armature tube kit

2 Ways Indirect Acting





VALVE TYPE	DIMENSION A	DIMENSION B	DIMENSION C	COIL TYPE	WEIGHT
R2SP G3/8"	83	46	58	SERIE 2800	0,44
R2SP G1/2"	83	46	58	SERIE 2800	0,41
R2SP G3/4"	93	56	78	SERIE 2800	0,70
R2SP G1"	104	74	95	SERIE 2800	1,15
R2SR G 1 1/4"	135	96	130	SERIE 3000	2,4
R2SR G 1 1/2"	135	96	130	SERIE 3000	2,3
R2SR G 2"	151	120	155	SERIE 3000	3,3



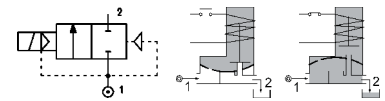
2/2 Serie R2SP-R2SR Normally Close

CODE	Connection G ISO 228	Orifice mm	Kv m3/h	Differential Pressure (bar)			Coil		Seal	Temp. Range °C		
				Min	Max	AC	DC	Series			Width (mm)	
R2SPCCG#12/// Coil	3/8"	13	2.2	0.15	16	16	2800	22	NBR=B	-10 +90		
R2SPCDG#12/// Coil	1/2"	13	2.5	0.15	16	16						
R2SPCEG#18/// Coil	3/4"	19	5.5	0.15	14	14			3000		30	EPDM=E
R2SPCFG#25/// Coil	1"	25	10.2	0.15	10	10						
R2SRCG#32/// Coil	1" 1/4	32	18	0.15	10	10	3A00	30	FPM=V	-10 +160		
R2SRCHG#40/// Coil	1" 1/2	40	21	0.15	10	10						
R2SRCIG#50/// Coil	2"	50	36	0.15	10	10						
* High pressure range (only NBR sealings)												
R2SPCCG12/// Coil	3/8"	13	2.2	0.5	25	25	3A00	30				
R2SPCDG12/// Coil	1/2"	13	2.2	0.5	25	25						

: Please select the sealing type required
 Example: R2SPCDGB12///2801: ISO G1/2"NBR
 Coil 24V DC 6,5W

Coils

SERIE	Coil P/N	Voltage	Nominal Power			Electrical connection	Connectors
			AC VA Inrush	AC VA Holding	DC Watt		
Series 2800 Width 22mm	2801	24V DC	-	-	7	Industrial Standard 22 mm	On Demand
	280B	24V AC	11,5	9	-		
	280D	110V AC	11,5	9	-		
	280E	230V AC	11,5	9	-		
Series 3000 Width 30mm	3001	24DC	-	-	10	DIN 43650A	On Demand
	300B	24 AC	15	12	-		
	300E	230 AC	15	12	-		
Series 3A00 Width 30mm	3A01	24V DC	-	-	5		
	3A0B	24V AC	11	8.5	-		



DESCRIPTION

- Solenoid valve 2 ways, indirect acting type.
- Brass body CW617N.
- Switching-On time 30ms (<1/2"), 50ms (3/4"-1"), 150-1000ms adjustable (>1 1/4")
- Switching-Off time 50ms (<1/2"), 80ms (3/4"-1"), 150-1000ms adjustable (>1 1/4")

CONSTRUCTION

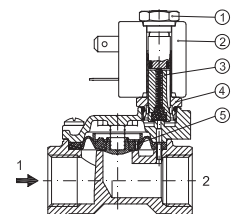
- Body: Brass CW614N
- Armature tube: Stainless steel Aisi 303
- Plunger and core: Stainless steel 430Fr
- Springs: Stainless steel Aisi 302
- Seal material: NBR - FPM - EPDM

FEATURES

- Maximum allowable pressure: 26bar
- Maximum fluid viscosity: 25cSt (mm2/s)
- Ambient temperature: with class H coil -10°C +80°C
- Above 80°C please consult our tech department for the application fine tuning
- Preferred mounting position with vertical coil above

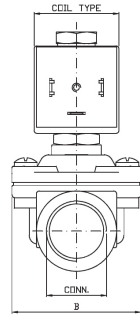
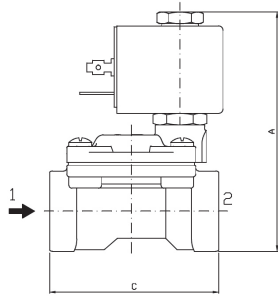
OPTIONS

- Manual override
- Electroless nickel plating
- /O: Degreased for industrial Oxygen use
- Version for vacuum application (air/gas)
- Others on request



SPARE PARTS

1. Coil fixing nut
2. Coil
3. Mobile plunger assembly
4. Armature tube kit
5. Diaphragm assembly



VALVE TYPE	DIMENSION A	DIMENSION B	DIMENSION C	COIL TYPE	WEIGHT
R2SP G3/8"	83	46	58	SERIE 2800	0,44
R2SP G1/2"	83	46	58	SERIE 2800	0,41
R2SP G3/4"	93	56	78	SERIE 2800	0,70
R2SP G1"	104	74	95	SERIE 2800	1,15
R2SR G 1 1/4"	135	96	130	SERIE 3000	2,4
R2SR G 1 1/2"	135	96	130	SERIE 3000	2,3
R2SR G 2"	151	120	155	SERIE 3000	3,3



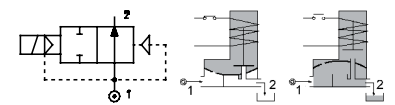
2/2 Serie R2SP-R2SR Normally Open

CODE	Connection G ISO 228	Orifice mm	Kv m3/h	Differential Pressure (bar)			Coil		Seal	Temp. Range °C
				Min	AC	DC	Series	Width (mm)		
R2SPACG#12/// Coil	3/8"	13	2.2	0.15	16	16	2800	22	NBR=B	-10 +90
R2SPADG#12/// Coil	1/2"	13	2.5	0.15	16	16				
R2SPAEG#18/// Coil	3/4"	19	5.5	0.15	14	14				
R2SPAFG#25/// Coil	1"	25	10.2	0.15	10	10	3000	30	EPDM=E	-10 +160
R2SRAGG#32/// Coil	1" 1/4	32	18	0.15	10	10				
R2SRANG#40/// Coil	1" 1/2	40	21	0.15	10	10				
R2SRAIG#50/// Coil	2"	50	36	0.15	10	10			FPM=V	-10 +160

: Please select the sealing type required
 Example: R2SPADGB12///2201: ISO G1/2"NBR
 Coil 24V DC 7W

Coils

SERIE	Coil P/N	Voltage	Nominal Power			Electrical connection	Connectors
			AC VA Inrush	AC VA Holding	DC Watt		
Series 2800 Width 22mm	2801	24V DC	-	-	7	Industrial Standard 22 mm	On Demand
	280B	24V AC	11,5	9	-		
	280D	110V AC	11,5	9	-		
	280E	230V AC	11,5	9	-		
Series 3000 Width 30mm	3001	24DC	-	-	10	DIN 43650A	On Demand
	300B	24 AC	15	12	-		
	300E	230 AC	15	12	-		
Series 3A00 Width 30mm	3A01	24V DC	-	-	5	DIN 43650A	On Demand
	3A0B	24V AC	11	8,5	-		
	3A0E	230V AC	11	8,5	-		



DESCRIPTION

- Solenoid valve 2 ways, indirect acting type.
- Brass body CW617N.
- Switching-On time 30ms (<1/2"), 50ms (3/4"-1"), 150-1000ms adjustable (>1 1/4")
- Switching-Off time 50ms (<1/2"), 80ms (3/4"-1"), 150-1000ms adjustable (>1 1/4")

CONSTRUCTION

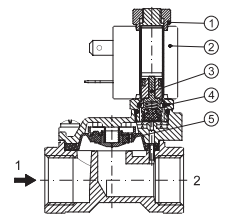
- Body: Brass CW617N
- Armature tube: Brass CW614N
- Plunger and core: Stainless steel 430Fr
- Springs: Stainless steel Aisi 302
- Seal material: NBR - FPM - EPDM

FEATURES

- Maximum allowable pressure: 26bar
- Maximum fluid viscosity: 25cSt (mm2/s)
- Ambient temperature:
with class F coil -10°C +55°C
with class H coil -10°C +80°C
- Above 80°C please consult our tech department for the application fine tuning
- Preferred mounting position with vertical coil above

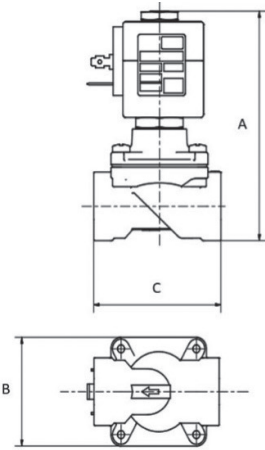
OPTIONS

- Electroless nickel plating
- Version with slow closing diaphragm
- Version for vacuum application (air/gas)
- Others on request



SPARE PARTS

1. Coil fixing nut
2. Coil
3. Mobile plunger assembly
4. Armature tube kit
5. Diaphragm assembly



VALVE TYPE		DIMENSION A	DIMENSION B	DIMENSION C
R2MH G3/8	DN 13MM	98	46	58
R2MH G1/2	DN 13MM	98	46	58
R2MH G3/4	DN 19MM	109	56	78
R2MH G1	DN 25MM	122	74	95

2/2 Serie R2MG Normally Closed

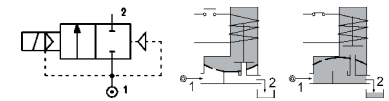
CODE	Connection G ISO 228	Orifice mm	Kv m3/h	Differential Pressure (bar)			Coil		Seal	Temp. Range °C
				Min	Max AC DC		Series	Width (mm)		
R2MGCCG#12///Coil	3/8"	13	2.2	0.15	16	10 (*)	3000	30	NBR=B	-10 +90
R2MGCDG#12///Coil	1/2"	13	2.5	0.15	16	10 (*)			EPDM=E	-10 +160
R2MGCEG#18///Coil	3/4"	19	5.5	0.15	10	5 (*)			FPM=V	-10 +160

: Please select the sealing type required
 Example: R2MGCDGB12///3001: ISO G1/2"NBR
 Coil 24V DC 10W

(*) with coil 3C01

Coils

SERIE	Coil P/N	Voltage	Nominal Power			Electrical connection	Connectors
			AC VA Inrush	AC VA Holding	DC Watt		
Series 3000 Width 30mm	3001	24V DC	-	-	10	DIN 43650A	On Demand
	300B	24V AC	15	12	-		
	300D	110V AC	15	12	-		
	300E	230V AC	15	12	-		



DESCRIPTION

- Solenoid valve 2 ways, indirect acting type.
- Brass body CW617N.
- Switching-On time 30ms (<1/2")
- Switching-Off time 50ms (<1/2")

CONSTRUCTION

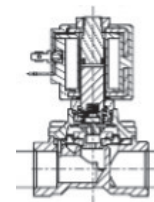
- Body: Brass CW614N
- Armature tube: Stainless steel Aisi 303
- Plunger and core: Stainless steel 430Fr
- Springs: Stainless steel Aisi 302
- Seal material: NBR - FPM - EPDM

FEATURES

- Maximum allowable pressure: 26bar
- Maximum fluid viscosity: 25cSt (mm2/s)
- Ambient temperature:
with class F coil -10°C +55°C
with class H coil -10°C +80°C
- Above 80°C please consult our tech department for the application fine tuning
- Preferred mounting position with vertical coil above

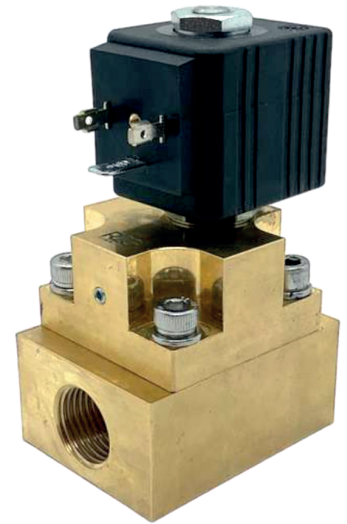
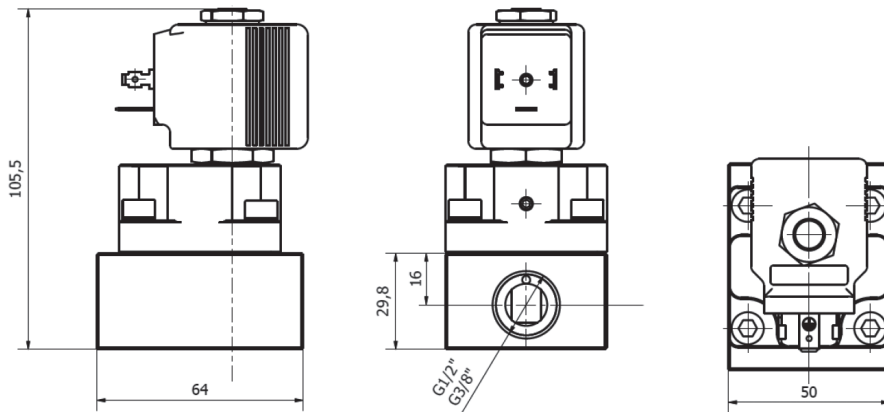
OPTIONS

- Electroless nickel plating
- Version for vacuum application (air/gas)
- Others on request



SPARE PARTS

1. Coil fixing nut
2. Coil
3. Mobile plunger assembly
4. Armature tube kit
5. Diaphragm assembly



2/2 Serie R2HP Normally Closed

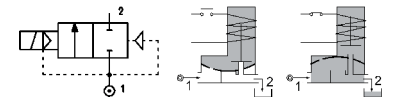
CODE	Connection	Orifice	Kv	Differential Pressure (bar)			Coil		Seal	Temp. Range
				Min	Max		Series	Width (mm)		
	G	mm	m ³ /h		AC	DC			°C	
R2HPCCGZ12///Coil	3/8"	12	2.2	3	150(*)	150(*)	3600	36	PBT+FKM=Z	-10 +140
R2HPCDGZ12///Coil	1/2"	12	2.2	3	150(*)	150(*)	3600	36		

: Please select the sealing type required
 Example: R2HPCDGZ12///360E: ISO G1/2" PBT+FKM
 Coil 230V AC 24VA

(*) for higher pressure over 150bar contact our
 Technical Department

Coils

SERIE	Coil P/N	Voltage	Nominal Power			Electrical connection	Connectors
			AC VA Inrush	AC VA Holding	DC Watt		
Series 3600 Width 36mm	3601	24V DC	-	-	24	DIN 43650A	On Demand
	360B	24V AC	30	24	-		
	360D	110V AC	30	24	-		
	360E	230V AC	30	24	-		



DESCRIPTION

- Solenoid valve 2 ways, indirect operated acting type.
- Brass body CW617N.

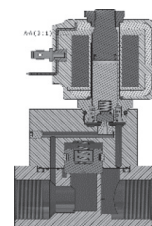
CONSTRUCTION

- Body: Brass CW617N
- Armature tube: Stainless steel Aisi 303
- Plunger and core: Stainless steel 430Fr
- Springs: Stainless steel Aisi 302
- Seal material: PBT+FKM

FEATURES

- Maximum allowable pressure: 150'bar
- Maximum fluid viscosity: 25cSt (mm2/s)
- Ambient temperature: with class F coil -10°C +55°C
- Preferred mounting position with vertical coil above

OPTIONS

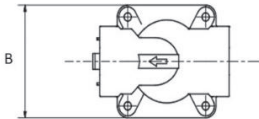
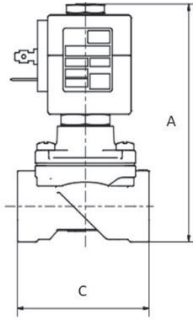


SPARE PARTS

1. Coil fixing nut
2. Coil
3. Mobile plunger assembly
4. Armature tube kit
5. Piston kit



2 Ways Combined Acting



VALVE TYPE		DIMENSION A	DIMENSION B	DIMENSION C
R2MH G3/8	DN 13MM	98	46	58
R2MH G1/2	DN 13MM	98	46	58
R2MH G3/4	DN 19MM	109	56	78
R2MH G1	DN 25MM	122	74	95



2/2 Serie R2MH Normally Closed

CODE	Connection G ISO 228	Orifice mm	Kv m3/h	Differential Pressure (bar)			Coil		Seal	Temp. Range °C
				Min	Max		Series	Width (mm)		
					AC	DC				
R2MHCCG#12//Coil	3/8"	13	2.2	0	10	10 (*)	3000	30	NBR=B	-10 +90
					12	12	3600	36		
R2MHCDG#12//Coil	1/2"	13	2.5	0	10	10 (*)	3000	30	EPDM=E	-10 +160
					12	12	3600	36		
R2MHCEG#18//Coil	3/4"	19	5.5	0	10	-	3000	30	FPM=V	-10 +160
					12	12	3600	36		
R2MHCFG#25//Coil	1"	25	10,2	0	10	6 (**)	3600	36		

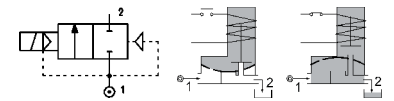
: Please select the sealing type required
 Example: R2MHCDG6B12///300E: ISO G1/2" NBR
 Coil 230V AC 15VA

(*) with coil 3C01

(**) In case of use with ED >50% the nominal voltage tolerance to the coil has to be modified in +10% / -0%

Coils

SERIE	Coil P/N	Voltage	Nominal Power			Electrical connection	Connectors
			AC VA Inrush	AC VA Holding	DC Watt		
Series 3000 Width 30mm	3001	24V DC	-	-	10	DIN 43650A	On Demand
	3C01	24VDC	-	-	12		
	300B	24V AC	15	12	-		
	300D	110V AC	15	12	-		
	300E	230V AC	15	12	-		
Series 3600 Width 36mm	3601	24V DC	-	-	24		
	360B	24V AC	30	24	-		
	360D	110V AC	30	24	-		
	360E	230V AC	30	24	-		



DESCRIPTION

- Solenoid valve 2 ways, combined acting type.
- Brass body CW617N.

CONSTRUCTION

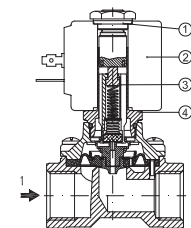
- Body: Brass CW614N
- Armature tube: Stainless steel Aisi 303
- Plunger and core: Stainless steel 430Fr
- Springs: Stainless steel Aisi 302
- Seal material: NBR - FPM - EPDM

FEATURES

- Maximum allowable pressure: 26bar
- Maximum fluid viscosity: 25cSt (mm2/s)
- Ambient temperature:
 - with class F coil -10°C +55°C
 - with class H coil -10°C +80°C
- Above 80°C please consult our tech department for the application fine tuning
- Preferred mounting position with vertical coil above

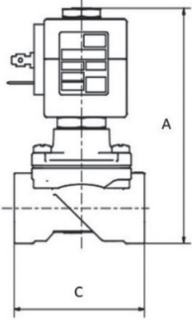
OPTIONS

- Electroless nickel plating
- Version for vacuum application (air/gas)
- Others on request

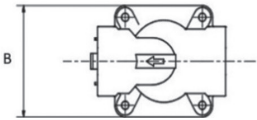


SPARE PARTS

1. Coil fixing nut
2. Coil
3. Mobile plunger assembly
4. Armature tube kit
5. Diaphragm assembly



VALVE TYPE	DIMENSION A	DIMENSION B	DIMENSION C	WEIGHT
R2IH G 3/8"	90	50	66	583
R2IH G 1/2"	90	50	66	583
R2IH G 3/4"	96	50	66	583
R2IH G 1"	103	61	86	810



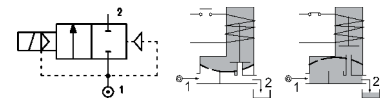
2/2 Serie R2IH Normally Closed

CODE	Connection G ISO 228	Orifice mm	Kv m ³ /h	Differential Pressure (bar)			Coil		Seal	Temp. Range °C
				Min	Max		Series	Width (mm)		
					AC	DC				
R2IHCCGV12///Coil	3/8"	12	2.2	0	16	6	3000	30	FPM=V EPDM=E	-10 +140°C
					16	16	3600	36		
R2IHCDGV15///Coil	1/2"	15	2.5	0	10	6	3000	30	FPM=V EPDM=E	-10 +140°C
					16	16	3600	36		
R2IHCEGV20///Coil	3/4"	20	5.5	0	10	6	3000	30	FPM=V EPDM=E	-10 +140°C
					16	16	3600	36		
R2IHCFGV25///Coil	1"	25	10.2	0	10	8	3600	36	FPM=V EPDM=E	-10 +140°C

: Please select the sealing type required
 Example: R2IHCDGV15///300E: ISO G1/2" FKM
 Coil 230V AC 15VA

Coils

SERIE	Coil P/N	Voltage	Nominal Power			Electrical connection	Connectors
			AC VA Inrush	AC VA Holding	DC Watt		
Series 3000 Width 30mm	3001	24V DC	-	-	10	DIN 43650A	On Demand
	3C01	24VDC	-	-	12		
	300B	24V AC	15	12	-		
	300D	110V AC	15	12	-		
	300E	230V AC	15	12	-		
Series 3600 Width 36mm	3601	24V DC	-	-	24	DIN 43650A	On Demand
	360B	24V AC	30	24	-		
	360D	110V AC	30	24	-		
	360E	230V AC	30	24	-		



DESCRIPTION

- Solenoid valve 2 ways, combined acting type.
- Stainless Steel body AISI304.

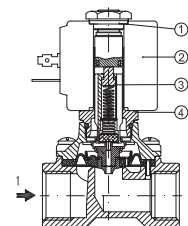
CONSTRUCTION

- Body: Stainless Steel AISI 304
- Armature tube: Stainless steel Aisi 303
- Plunger and core: Stainless steel 430Fr
- Springs: Stainless steel Aisi 302
- Seal material: FKM, EPDM

FEATURES

- Maximum allowable pressure: 26bar
- Maximum fluid viscosity: 25cSt (mm²/s)
- Ambient temperature:
with class F coil -10°C +55°C
with class H coil -10°C +80°C
- Above 80°C please consult our tech department for the application fine tuning
- Preferred mounting position with vertical coil above

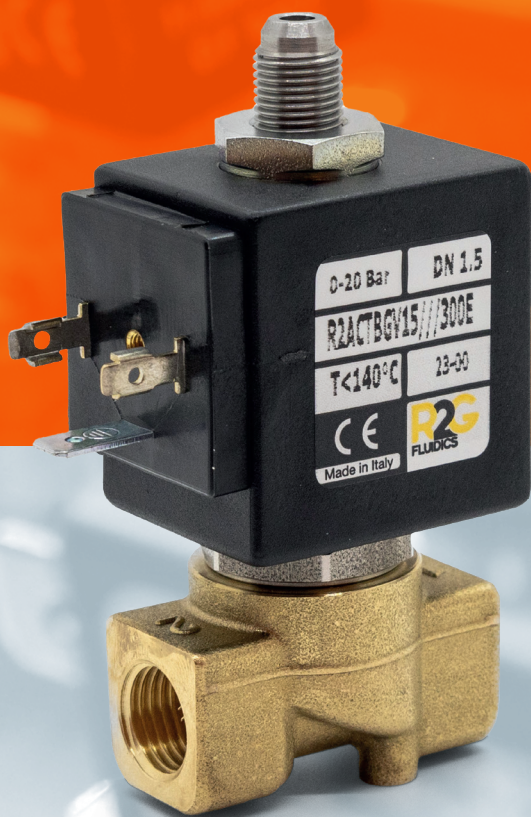
OPTIONS

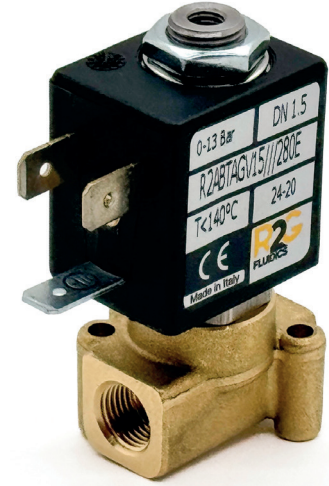
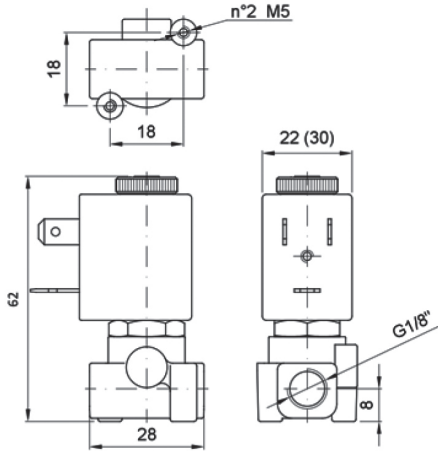


SPARE PARTS

1. Coil fixing nut
2. Coil
3. Mobile plunger assembly
4. Armature tube kit
5. Diaphragm assembly

3 Ways Direct Acting



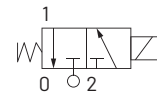


3/2 Serie R2ABT Normally close

CODE	Connection G ISO 228	Orifice mm	Kv M ³ /h	Differential Pressure (bar)		Coil		Seal	Temp. Range °C	
				Min	Max	Series	Width (mm)			
				AC	DC					
R2ABTAG#12/// Coil	1/8"	1.2	0.045	0	16	2800	22	NBR=B	-10 +90	
R2ABTAG#15/// Coil		1.5	0.06	0	13					13
R2ABTAG#20/// Coil		2.0	0.09	0	8					8
R2ABTAG#25/// Coil		2.5	0.15	0	6			6		FPM=V
R2ABTAG#30/// Coil		3.0	0.20	0	3.5			3.5		
R2ABTAG#40/// Coil		4.0	0.35	0	2.5			2.5		

: Please select the sealing type required
Example: R2ABTAGB15///280I: ISO G1/8"NBR
Coil 24V DC 7W

Note: For Industrial Oxygen use application FKM sealing have to be used and Max pressure is limited to 25 bar
Example: R2ABTG15/0/280I G1/8" 1,5mm FKM 24VDC



DESCRIPTION

- Solenoid valve 3 ways, direct acting type.
- Brass body CW617N.
- Switching-On time 15ms.
- Switching-Off time 20ms.

CONSTRUCTION

- Body: Brass CW614N
- Armature tube: Stainless Steel AISI303
Clamped version with internal FKM Or
- Plunger and core: Stainless steel - 430Fr
- Springs: Stainless steel - Aisi 302
- Seal material: NBR - FPM

FEATURES

- Maximum allowable pressure: 100bar*
- Maximum fluid viscosity: 27cSt (mm²/s)
- 3rd way connection: M5 female
- 3rd way orifice: 1,5mm
- Ambient temperature:
Class F coil -10°C +55°C
Class H coil -10°C +80°C
- Above 80°C please consult our tech department for the application fine tuning
- Universal mounting

OPTIONS

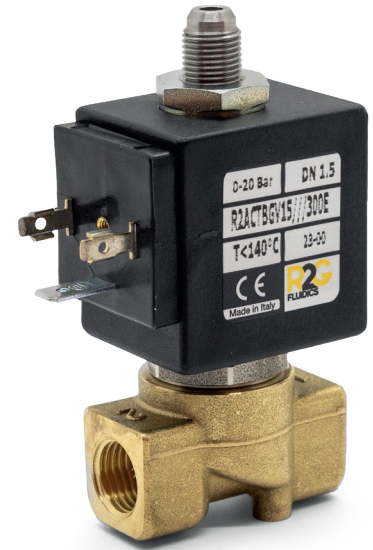
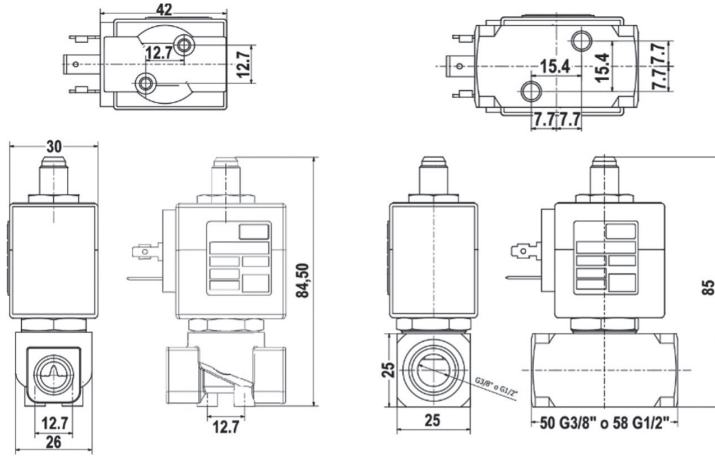
- Manual override
- Degreased for Industrial Oxygen use
- Electroless nickel plating
- Others on request

SPARE PARTS

1. Coil fixing nut
2. Coil
3. Mobile plunger assembly
4. Armature tube kit

Coils

SERIE	Coil P/N	Voltage	Nominal Power			Electrical connection	Connectors
			AC VA Inrush	AC VA Holding	DC Watt		
Series 2800 Width 22mm	2801	24 DC	-	-	7	Industrial Standard 22 mm	On Demand
	280B	24 AC	11,5	9	-		
	280D	110 AC	11,5	9	-		
	280E	230 AC	11,5	9	-		



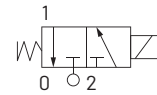
3/2 Serie R2ACT Normally Close

CODE	Connection G ISO 228	Orifice mm	Kv m3/h	Differential Pressure (bar)			Coil		Seal	Temp. Range °C
				Min	AC	DC	Series	Width (mm)		
R2ACTAG#12/// Coil	1/8"	1.2	0.05	0	25	25	3000	30	NBR=B	-10 +90
R2ACTAG#15/// Coil		1.5	0.07	0	20	20				
R2ACTAG#20/// Coil		2	0.1	0	13	13				
R2ACTAG#25/// Coil		2.5	0.15	0	10	10				
R2ACTAG#30/// Coil		3.0	0.25	0	6.5	6.5				
R2ACTBG#12/// Coil	1/4"	1.2	0.05	0	25	25	3000	30	EPDM=E	-10 +160
R2ACTBG#15/// Coil		1.5	0.07	0	20	20				
R2ACTBG#20/// Coil		2	0.1	0	13	13				
R2ACTBG#25/// Coil		2.5	0.15	0	10	10				
R2ACTBG#30/// Coil		3.0	0.25	0	6.5	6.5				
R2ACTBG#35/// Coil	3/8"	3.5	0.32	0	5	5	3000	30	FPM=V	-10 +160
R2ACTCG#30/// Coil		3	0.25	0	6.5	6.5				
R2ACTCG#35/// Coil	1/2"	3.5	0.32	0	5	5	3000	30	PTFE=P	-10 +180
R2ACTDG#30/// Coil		3	0.25	0	6.5	6.5				
R2ACTDG#35/// Coil	1/2"	3.5	0.32	0	5	5	3000	30	PTFE=P	-10 +180
R2ACTDG#35/// Coil		3.5	0.32	0	5	5				

: Please select the sealing type required
Example: R2ACTBGB25///3001: ISO G1/4"NBR
Coil 24V DC 10W

REMARK: The maximum allowable pressure PS for steam is 6bar with PTFE seals and 2,5bar with EPDM

Note: For Industrial Oxygen use application use FKM seals and max pressure is limited to 25bar.
Example: R2ACTBGV15/0/3001 G1/4" 1,5mm FKM 24V DC 10W



DESCRIPTION

- Solenoid valve 3 ways, direct acting type.
- Brass body CW617N.
- Switching-On time 18ms.
- Switching-Off time 23ms.

CONSTRUCTION

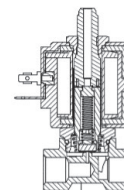
- Body: Brass CW614N
- Armature tube: Stainless steel Aisi 303
- Plunger and core: Stainless steel 430Fr
- Springs: Stainless steel Aisi 302
- Seal material: NBR - FPM - EPDM - PTFE

FEATURES

- Maximum allowable pressure: 45bar*
- Maximum fluid viscosity: 25cSt (mm2/s)
- 3rd way orifice: 2,5mm
- Ambient temperature:
 - with class F coil: -10°C +55°C
- Above 80°C please consult our tech department for the application fine tuning
- Universal mounting position

OPTIONS

- Manual override
- /O: Degreased for Industrial Oxygen use
- /N: Electroless nickel plating
- /R: Stainless steel orifice
- Others on request

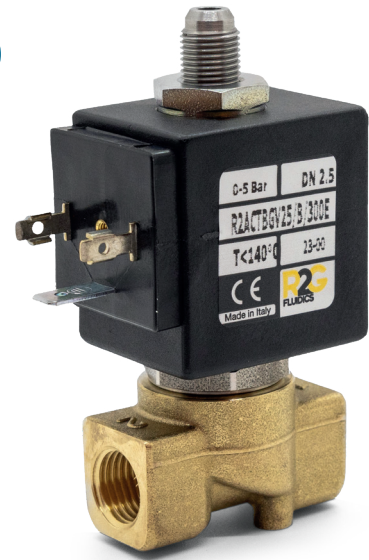
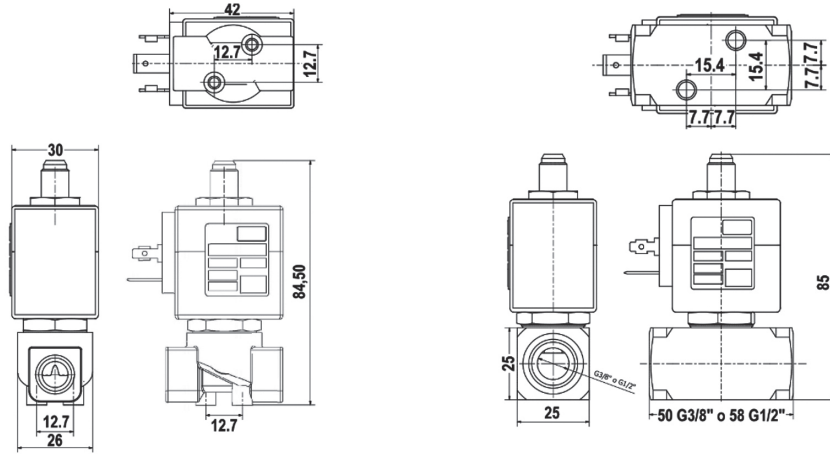


SPARE PARTS

1. Coil fixing nut
2. Coil
3. Mobile plunger assembly
4. Armature tube kit

Coils

SERIE	Coil P/N	Voltage	Nominal Power			Electrical connection	Connectors
			AC VA Inrush	AC VA Holding	DC Watt		
Series 3000 Width 30mm	3001	24DC	-	-	10	DIN 43650A	On Demand
	300B	24 AC	15	12	-		
	300D	110 AC	15	12	-		
	300E	230 AC	15	12	-		



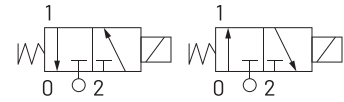
3/2 Serie R2ACT Universal

CODE	Connection G ISO 228	Orifice mm	Kv m3/h	Differential Pressure (bar)			Coil		Seal	Temp. Range °C
				Min	Max		Series	Width (mm)		
					AC	DC				
R2ACTAG#25/B/ Coil	1/8"	2.5	0.15	0	5	5	3000	30	NBR=B	-10 +90
R2ACTAG#52/B/ Coil		5.2	0.47 (*)	0	3	3				
R2ACTBG#25/B/ Coil	1/4"	2.5	0.15	0	5	5	3000	30	EPDM=E	-10 +160
R2ACTBG#52/B/ Coil		5.2	0.47 (*)	0	3	3				
R2ACTCG#25/B/ Coil	3/8"	2.5	0.15	0	5	5	3000	30	FPM=V	-10 +160
R2ACTCG#52/B/ Coil		5.2	0.47 (*)	0	3	3				
R2ACTDG#25/B/ Coil	1/2"	2.5	0.15	0	5	5	3000	30	FPM=V	-10 +160
R2ACTDG#52/B/ Coil		5.2	0.47 (*)	0	3	3				

: Please select the sealing type required
Example: R2ACTBGB25/U/3001: ISO G1/4"NBR
Coil 24V DC 10W

(*) Flow rate refers to the flo into the valve body (between conn. 2 and 1)
REMARK: The maximum allowable pressure PS for steam is 6bar with PTFE seals and 2,5bar with EPDM

Note: For Industrial Oxygen use application use FKM seals and max pressure is limited to 25bar.
Example: R2ACTBGV15/U0/3001 G1/4" 1,5mm FKM
24V DC 10W



DESCRIPTION

- Solenoid valve 3 ways, direct acting type.
- Universal functioning.
- Brass body CW617N.
- Switching-On time 18ms.
- Switching-Off time 23ms.
- 3rd way orifice (on top): DN 2,5mm

CONSTRUCTION

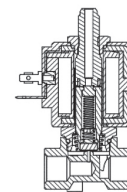
- Body: Brass CW614N
- Armature tube: Stainless steel Aisi 303
- Plunger and core: Stainless steel 430Fr
- Springs: Stainless steel Aisi 302
- Seal material: NBR - FPM - EPDM

FEATURES

- Maximum allowable pressure: 45bar*
- Maximum fluid viscosity: 25cSt (mm2/s)
- Ambient temperature:
with class F coil: -10°C +55°C
with class H coil: -10°C +80°C
- Above 80°C please consult our tech department for the application fine tuning
- Universal mounting position

OPTIONS

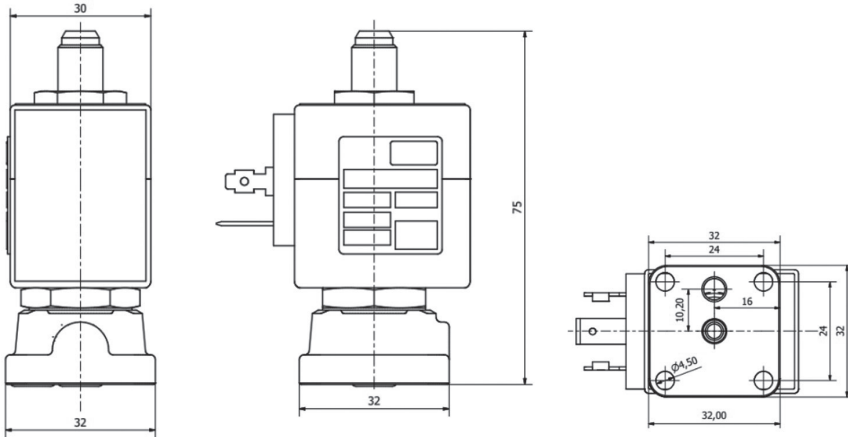
- Manual override
- /O: Degreased for Industrial Oxygen use
- /N: Electroless nickel plating
- /R: Stainless steel orifice
- Others on request



SPARE PARTS

1. Coil fixing nut
2. Coil
3. Mobile plunger ass.
4. Armature tube kit

SERIE	Coil P/N	Voltage	Nominal Power			Electrical connection	Connectors
			AC VA Inrush	AC VA Holding	DC Watt		
Series 3000 Width 30mm	3001	24DC	-	-	10	DIN 43650A	On Demand
	300B	24 AC	15	12	-		
	300E	230 AC	15	12	-		



3/2 Serie R2XCT Normally Close

CODE	Connection G ISO 228	Orifice mm	Kv m3/h	Differential Pressure (bar)			Coil		Seal	Temp. Range °C
				Min	Max		Series	Width (mm)		
					AC	DC				
R2XCTXG#12/// Coil	Sub Base	1.2	0.05	0	25	25	3000	30	NBR=B	-10 +90
R2XCTXG#15/// Coil		1.5	0.07	0	20	20			EPDM=E	-10 +160
R2XCTXG#20/// Coil		2	0.1	0	13	13			FPM=V	-10 +160
R2XCTXG#25/// Coil		2.5	0.15	0	10	10				

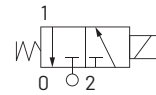
: Please select the sealing type required
Example: R2XCTXGB25///3001: ISO G3/4" NBR
Coil 24V DC 10W

REMARK: The maximum allowable pressure PS for steam is 6bar with PTFE seals and 2,5bar with EPDM

Note: For Industrial Oxygen use application use FKM seals and max pressure is limited to 25bar.
Example: R2XCTXGV15/0/3001 G1/4" 1,5mm FKM
24V DC 10W

Coils

SERIE	Coil P/N	Voltage	Nominal Power			Electrical connection	Connectors
			AC VA Inrush	AC VA Holding	DC Watt		
Series 3000 Width 30mm	3001	24DC	-	-	10	DIN 43650A	On Demand
	300B	24 AC	15	12	-		
	300E	230 AC	15	12	-		



DESCRIPTION

- Solenoid valve 3 ways, direct acting type.
- Brass body CW617N.
- Switching-On time 18ms.
- Switching-Off time 23ms.

CONSTRUCTION

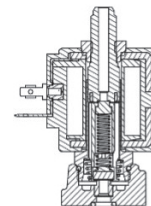
- Body: Brass CW614N
- Armature tube: Stainless steel Aisi 303
- Plunger and core: Stainless steel 430Fr
- Springs: Stainless steel Aisi 302
- Seal material: NBR - FPM - EPDM - PTFE

FEATURES

- Maximum allowable pressure: 45bar*
- Maximum fluid viscosity: 25cSt (mm2/s)
- Ambient temperature: with class F coil: -10°C +55°C with class H coil -10°C +80°C
- Above 80°C please consult our tech department for the application fine tuning
- Universal mounting position

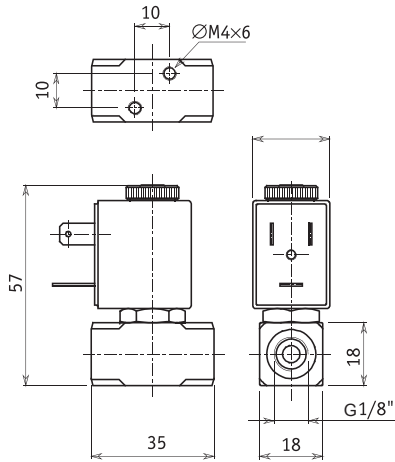
OPTIONS

- Manual override
- Degreased for Industrial Oxygen use
- Electroless nickel plating
- Others on request



SPARE PARTS

1. Coil fixing nut
2. Coil
3. Mobile plunger assembly
4. Armature tube kit



3/2 Serie R2IBT Normally close

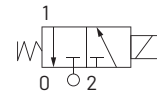
CODE	Connection	Orifice	Kv	Differential Pressure (bar)			Coil		Seal	Temp. Range
				Min	Max		Series	Width (mm)		
					AC	DC				
ISO 228	mm	M ³ /h		AC	DC			°C		
R2IBTAG#12/// Coil	1/8"	1.2	0.045	0	16	16	2800	22	NBR=B	-10 +90
R2IBTAG#20/// Coil		2.0	0.09	0	8	8				FPM=V
R2IBTAG#40/// Coil		4.0	0.35	0	2.5	2.5				

: Please select the sealing type required
 Example: R2IBTAGB15///2801: ISO G1/8"NBR
 Coil 24V DC 7W

Note: For Industrial Oxygen use application FKM sealing have to be used and Max pressure is limited to 25 bar
 Example: R2IBTGV15/O/2801 G1/8" 1.5mm FKM 24VDC

Coils

SERIE	Coil P/N	Voltage	Nominal Power			Electrical connection	Connectors
			AC VA Inrush	AC VA Holding	DC Watt		
Series 2800 Width 22mm	2801	24 DC	-	-	7	Industrial Standard 22 mm	On Demand
	280B	24 AC	11,5	9	-		
	280D	110 AC	11,5	9	-		
	280E	230 AC	11,5	9	-		



DESCRIPTION

- Solenoid valve 3 ways, direct acting type.
- Stainless Steel body AISI303.
- Switching-On time 15ms.
- Switching-Off time 20ms.

CONSTRUCTION

- Body: Stainless Steel AISI303
- Armature tube: Stainless Steel AISI303
- Clamped version with internal FKM Or
- Plunger and core: Stainless steel - 430Fr
- Springs: Stainless steel - Aisi 302
- Seal material: NBR - FPM

FEATURES

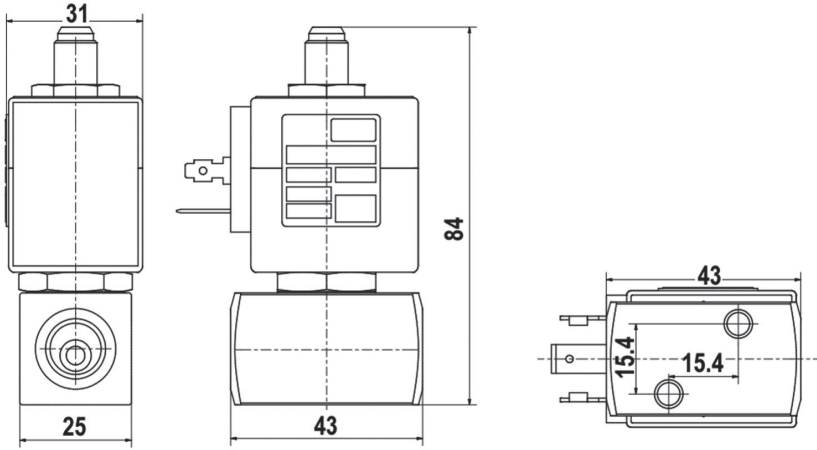
- Maximum allowable pressure: 100bar*
- Maximum fluid viscosity: 27cSt (mm2/s)
- 3rd way connection: M5 female
- 3rd way orifice: 1,5mm
- Ambient temperature:
 Class F coil -10°C +55°C
 Class H coil -10°C +80°C
- Above 80°C please consult our tech department for the application fine tuning
- Universal mounting

OPTIONS

- /O: Degreased for Industrial Oxygen use
- Others on request

SPARE PARTS

1. Coil fixing nut
2. Coil
3. Mobile plunger assembly
4. Armature tube kit



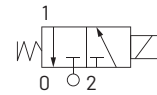
3/2 Serie R2ICT Normally Closed

CODE	Connection G ISO 228	Orifice mm	Kv m3/h	Differential Pressure (bar)			Coil		Seal	Temp. Range °C
				Min	Max AC DC		Series	Width (mm)		
R2ICTBG#15/// Coil	1/4"	1.5	0.07	0	20	20	3000	30	NBR=B	-10 +90
R2ICTBG#20/// Coil		2	0.1	0	13	13				
R2ICTBG#25/// Coil		2.5	0.15	0	10	10				
R2ICTBG#35/// Coil		3.5	0.32	0	5	5				
R2ICTCG#30/// Coil	3/8"	3	0.25	0	6.5	6.5	3000	30	EPDM=E	-10 +160
R2ICTCG#35/// Coil		3.5	0.32	0	5	5				
R2ICTDG#30/// Coil	1/2"	3	0.25	0	6.5	6.5	3000	30	FPM=V	-10 +160
R2ICTDG#35/// Coil		3.5	0.32	0	5	5				
									PTFE = P	-40 +180

: Please select the sealing type required
Example: R2ICTBG15///3001: ISO G3/4" NBR
Coil 24V DC 10W

REMARK: The maximum allowable pressure PS for steam is 6bar with PTFE seals and 2,5bar with EPDM

Note: For Industrial Oxygen use application use FKM seals and max pressure is limited to 25bar.
Example: R2ICTBG15/0/3001 G1/4" 1,5mm FKM 24V DC 10W



DESCRIPTION

- Solenoid valve 3 ways, direct acting type.
- Stainless Steel AISI 303.
- Switching-On time 18ms.
- Switching-Off time 23ms.

CONSTRUCTION

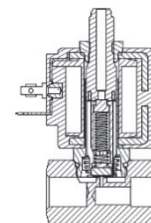
- Body: Stainless Steel AISI 303
- Armature tube: Stainless steel Aisi 303
- Plunger and core: Stainless steel 430F
- Springs: Stainless steel Aisi 302
- Seal material: NBR - FPM - EPDM - PTFE

FEATURES

- Maximum allowable pressure: 45bar*
- Maximum fluid viscosity: 27cSt (mm2/s)
- Ambient temperature: with class F coil: -10°C +55°C with class H coil -10°C +80°C
- Above 80°C please consult our tech department for the application fine tuning
- Universal mounting position

OPTIONS

- Manual override
- Degreased for Industrial Oxygen use
- Others on request

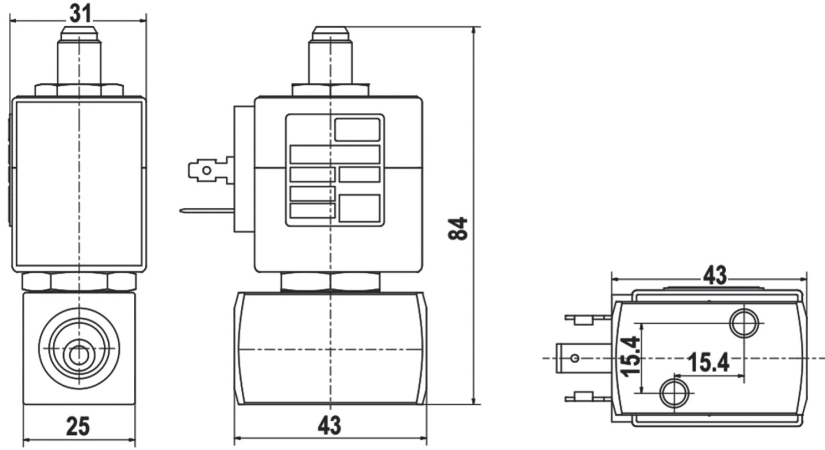


SPARE PARTS

1. Coil fixing nut
2. Coil
3. Mobile plunger assembly
4. Armature tube kit

Coils

SERIE	Product Serie	Voltage	Nominal Power			Electrical connection	Connectors
			AC VA Inrush	AC VA Holding	DC Watt		
Series 3000 Width 30mm	3001	24DC	-	-	10	DIN 43650A	On Demand
	300B	24 AC	15	12	-		
	300E	230 AC	15	12	-		



3/2 Serie R2ICT Universal

CODE	Connection G ISO 228	Orifice mm	Kv m3/h	Differential Pressure (bar)			Coil		Seal	Temp. Range °C
				Min	Max		Series	Width (mm)		
					AC	DC				
R2ICTBG#25/B/ Coil	1/4"	2.5	0.15	0	10	10	3000	30	NBR=B	-10 +90
R2ICTBG#52/B/ Coil		5.2	0.47 (*)	0	3	3			EPDM=E	-10 +160
									FPM=V	-10 +160

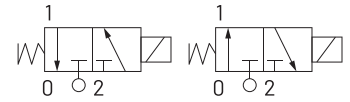
: Please select the sealing type required
Example: R2ICTBG#25/B/3001: ISO G3/4" NBR
Coil 24V DC 10W

(*) Flow rate refers to the flo into the valve body (between conn. 2 and 1)
REMARK: The maximum allowable pressure PS for steam is 6bar with PTFE seals and 2,5bar with EPDM

Note: For Industrial Oxygen use application use FKM seals and max pressure is limited to 25bar.
Example: R2ICTBGV15/B0/3001 G1/4" 1,5mm FKM 24V DC 10W

Coils

SERIE	Coil P/N	Voltage	Nominal Power			Electrical connection	Connectors
			AC VA Inrush	AC VA Holding	DC Watt		
Series 3000 Width 30mm	3001	24DC	-	-	10	DIN 43650A	On Demand
	300B	24 AC	15	12	-		
	300E	230 AC	15	12	-		



DESCRIPTION

- Solenoid valve 3 ways, direct acting type.
- Universal functioning.
- Stainless Steel Body Aisi 303.
- Switching-On time 18ms.
- Switching-Off time 23ms.
- 3rd way orifice (on top): DN 2,5mm
- 3rd way connection (on top): M G1/8"

CONSTRUCTION

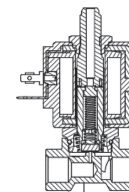
- Body: Stainless Steel Aisi 303
- Armature tube: Stainless steel Aisi 303
- Plunger and core: Stainless steel 430Fr
- Springs: Stainless steel Aisi 302
- Seal material: NBR - FPM - EPDM

FEATURES

- Maximum allowable pressure: 100bar*
- Maximum fluid viscosity: 25cSt (mm2/s)
- Ambient temperature:
with class F coil: -10°C +55°C
with class H coil: -10°C +80°C
- Above 80°C please consult our tech department for the application fine tuning
- Universal mounting position

OPTIONS

- /O: Degreased for Industrial Oxygen use
- /B1: Operating pessure up to 10bar
- Others on request

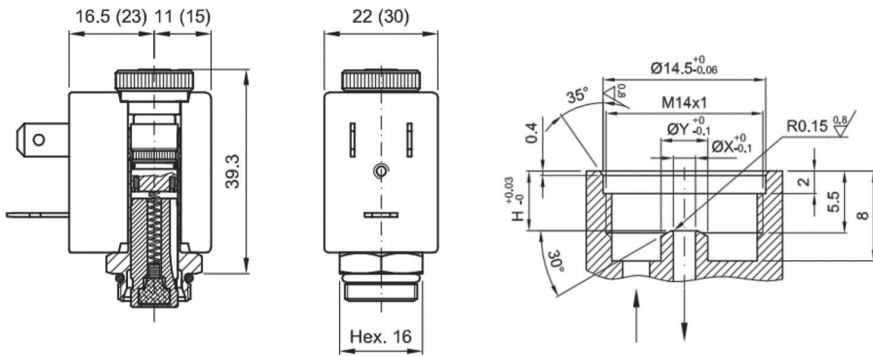


SPARE PARTS

- 1. Coil fixing nut
- 2. Coil
- 3. Mobile plunger ass.
- 4. Armature tube kit

Pilots Direct Acting





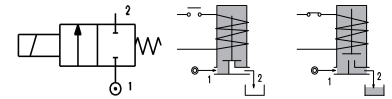
Serie R2KT Armature tube 10mm Normally Close

CODE	ØA mm	ØB mm	L mm	Differential Pressure (bar)			Coil		Seal	Temp. Range °C	
				Min	AC	DC	Series	Width (mm)			
R2KTCA-#AA// Coil	1.2		5	0	25	25	2800	22	NBR=B	-10 +90	
R2KTCA-#AA// Coil	1.5		5.1	0	16	16					
R2KTCA-#AA// Coil	2.0		5.2	0	12	10					
R2KTCA-#AA// Coil	2.5		5.4	0	8	6			EPDM=E		-10 +160
R2KTCA-#AA// Coil	3.0		5.5	0	5	3					
R2KTCA-#AA// Coil	4.0		5.6	0	4	2					
R2KTCA-#AA// Coil	2.5		5.4	0	16	8	3A00	30	FPM=V	-10 +160	
R2KTCA-#AA// Coil	3.0		5.5	0	8	5					
R2KTCA-#AA// Coil	4.0		5.6	0	5	3					

: Please select the sealing type required
 Example: R2KTCA-BAA//2801: 2/2 NC 10mm tube Stainless Steel, NBR, M14x1 connection
 Coil 24V DC 7W 22mm

Coils

SERIE	Product Serie	Voltage	Nominal Power			Electrical connection	Connectors
			AC VA Inrush	AC VA Holding	DC Watt		
Series 2800 Width 22mm	2801	24 DC	-	-	7	Industrial Standard 22 mm	On Demand
	280B	24 AC	11,5	9	-		
	280E	230 AC	11,5	9	-		
Series 3A00 Width 30mm	3A01	24 DC	-	-	5	DIN 43650A	On Demand
	3A0B	24 AC	11	8,5	-		
	3A0E	230 AC	11	8,5	-		



DESCRIPTION

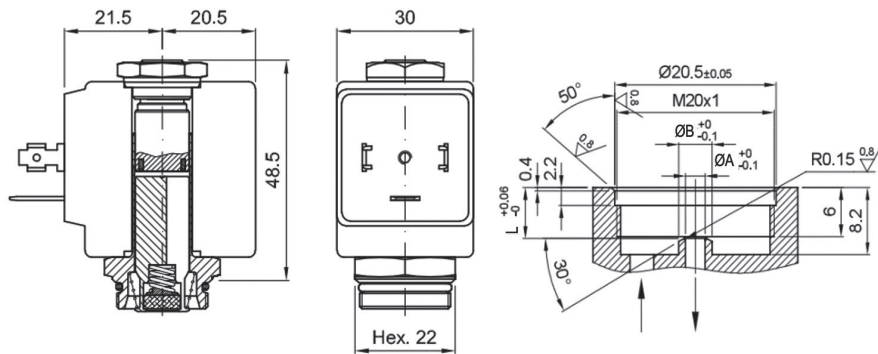
- Solenoid pilot 2 ways, direct acting type.
- Switching-On time 15ms.
- Switching-Off time 20ms.

CONSTRUCTION

- Armature tube: Stainless Steel AISI 303
- Plunger and core: Stainless steel - 430 Fr
- Springs: Stainless steel - Aisi 302
- Seal material: NBR - FPM - EPDM

FEATURES

- Maximum allowable pressure: 100bar*
- Maximum fluid viscosity: 27cSt (mm2/s)
- Ambient temperature:
 Class F coil -10°C +55°C
 Class H coil -10°C +80°C
- Above 80°C please consult our tech department for the application fine tuning
- Universal mounting



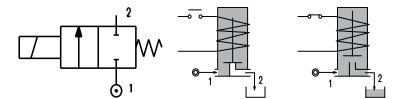
Serie R2KT Armature tube 13mm Normally Close

CODE	ØA mm	ØB mm	L mm	Differential Pressure (bar)			Coil		Seal	Temp. Range °C
				Min	Max		Series	Width (mm)		
				AC	DC					
R2KTCC-#CA/// Coil	0.8	4.2	6.2	0	100	100	3000	30	NBR=B	-10 +90
R2KTCC-#CA/// Coil	1.5	4.2	6.2	0	30	25			EPDM=E	-10 +160
R2KTCC-#CA/// Coil	2.0	4.2	6.2	0	22	20			FPM=V	-10 +160
R2KTCC-#CA/// Coil	2.5	4.2	6.2	0	16	15			FFKM=K	-10 +180
R2KTCC-#CA/// Coil	3.5	6.2	6.2	0	10	8			PTFE=P	-10 +180
R2KTCC-#CA/// Coil	4.5	6.2	6.4	0	6.5	3.5				
R2KTCC-#CA/// Coil	5.2	6.2	6.4	0	4	1.8				

: Please select the sealing type required
 Example: R2KTCC-BCA///3001: 2/2 NC 13mm tube Stainless Steel, NBR, M20x1.5 connection
 Coil 24V DC 10W 30mm

Coils

SERIE	Product Serie	Voltage	Nominal Power			Electrical connection	Connectors
			AC VA Inrush	AC VA Holding	DC Watt		
Series 3000 Width 30mm	3001	24 DC	-	-	10	DIN 43650A	On Demand
	300B	24 AC	15	12	-		
	300E	230 AC	15	12	-		



DESCRIPTION

- Solenoid pilot 2 ways, direct acting type.
- Switching-On time 15ms.
- Switching-Off time 20ms.

CONSTRUCTION

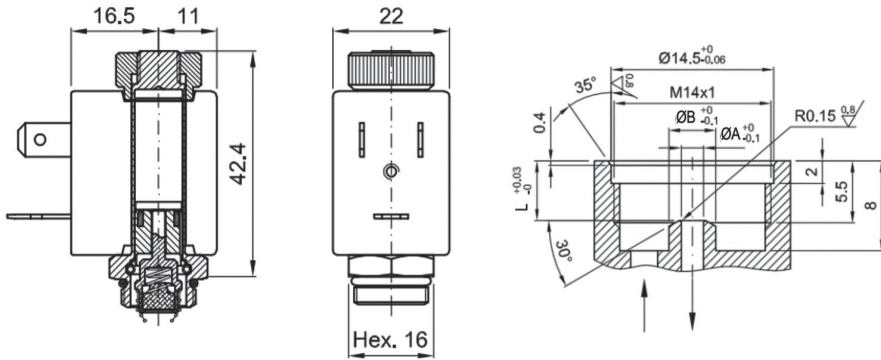
- Armature tube: Stainless Steel AISI 303
- Plunger and core: Stainless steel - 430 Fr
- Springs: Stainless steel - Aisi 302
- Seal material: NBR - FPM - EPDM - PTFE - FFKM

FEATURES

- Maximum allowable pressure: 100bar*
- Maximum fluid viscosity: 27cSt (mm2/s)
- Ambient temperature:
 Class F coil -10°C +55°C
 Class H coil -10°C +80°C
- Above 80°C please consult our tech department for the application fine tuning
- Universal mounting

OPTIONS

- /B: Back pressure resistance (for pressure details please ask our technical department)



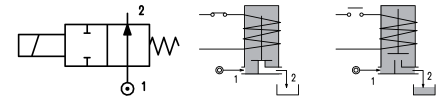
Serie R2KT Armature tube 10mm Normally Open

CODE	ØA mm	ØB mm	L mm	Differential Pressure (bar)			Coil		Seal	Temp. Range °C
				Min	AC	DC	Series	Width (mm)		
R2KTAA-#AA// Coil	1.2		5	0	18	18	2800	22	NBR=B	-10 +90
R2KTAA-#AA// Coil	1.5		5.1	0	14	14				
R2KTAA-#AA// Coil	2.0		5.2	0	8	8			EPDM=E	-10 +160
R2KTAA-#AA// Coil	2.5		5.4	0	4	4				
R2KTAA-#AA// Coil	3.0		5.5	0	2.5	2.5				

: Please select the sealing type required
 Example: R2KTAA-BAA//2801: 2/2 NO 10mm tube Stainless Steel, NBR, M14x1 connection
 Coil 24V DC 7W 22mm

Coils

SERIE	Product Serie	Voltage	Nominal Power			Electrical connection	Connectors
			AC VA Inrush	AC VA Holding	DC Watt		
Series 2800 Width 22mm	2801	24 DC	-	-	7	Industrial Standard 22 mm	On Demand
	280B	24 AC	11,5	9	-		
	280E	230 AC	11,5	9	-		



DESCRIPTION

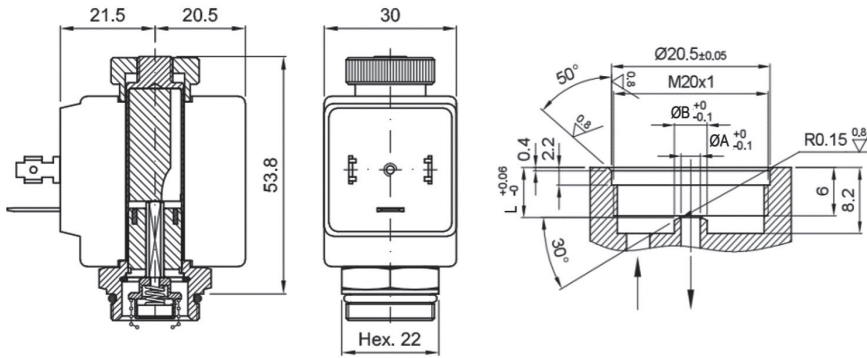
- Solenoid pilot 2 ways, direct acting type.
- Switching-On time 25ms.
- Switching-Off time 10ms.

CONSTRUCTION

- Armature tube: Brass CW614N
- Plunger and core: Stainless steel - 430 Fr
- Springs: Stainless steel - Aisi 302
- Seal material: NBR - FPM - EPDM

FEATURES

- Maximum allowable pressure: 45bar*
- Maximum fluid viscosity: 27cSt (mm2/s)
- Ambient temperature:
 Class F coil -10°C +55°C
 Class H coil -10°C +80°C
- Above 80°C please consult our tech department for the application fine tuning
- Universal mounting



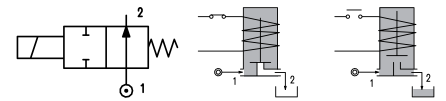
Serie R2KT Armature tube 13mm Normally Open

CODE	øA mm	øB mm	L mm	Differential Pressure (bar)			Coil		Seal	Temp. Range °C
				Min	Max		Series	Width (mm)		
					AC	DC				
R2KTAC-#CA/// Coil	1.5	4.2	6.2	0	18	18	3000	30	NBR=B	-10 +90
R2KTAC-#CA/// Coil	2.0	4.2	6.2	0	11	11				
R2KTAC-#CA/// Coil	2.5	4.2	6.2	0	7	7			EPDM=E	-10 +160
R2KTAC-#CA/G03/ Coil	3.5	6.2	6.2	0	6.5	6.5				
R2KTAC-#CA/G03/ Coil	4.5	6.2	6.4	0	4	4				

: Please select the sealing type required
 Example: R2KTAC-BCA///3001: 2/2 NO 13mm tube Stainless Steel, NBR, M20x1.5 connection
 Coil 24V DC 10W 30mm

Coils

SERIE	Product Serie	Voltage	Nominal Power			Electrical connection	Connectors
			AC VA Inrush	AC VA Holding	DC Watt		
Series 3000 Width 30mm	3001	24 DC	-	-	10	DIN 43650A	On Demand
	300B	24 AC	15	12	-		
	300E	230 AC	15	12	-		



DESCRIPTION

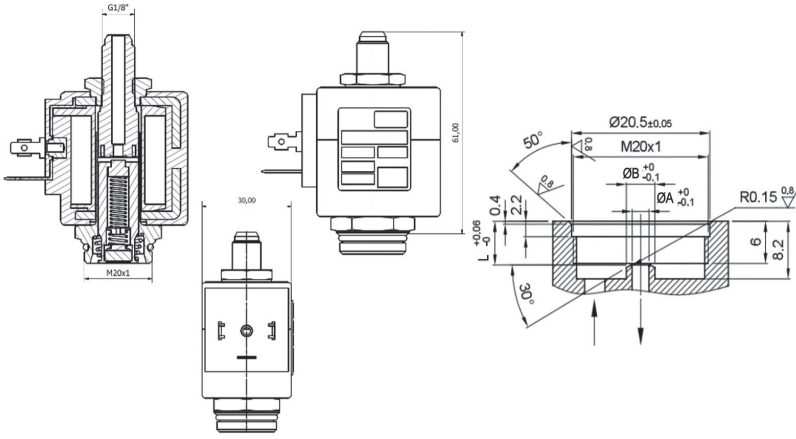
- Solenoid pilot 2 ways, direct acting type.
- Switching-On time 25ms.
- Switching-Off time 10ms.

CONSTRUCTION

- Armature tube: Stainless Steel AISI 303
- Plunger and core: Stainless steel - 430 Fr
- Springs: Stainless steel - Aisi 302
- Seal material: NBR - FPM - EPDM

FEATURES

- Maximum allowable pressure: 100bar*
- Maximum fluid viscosity: 27cSt (mm2/s)
- Ambient temperature:
 Class F coil -10°C +55°C
 Class H coil -10°C +80°C
- Above 80°C please consult our tech department for the application fine tuning
- Universal mounting



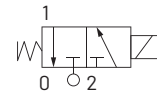
Serie R2KT Armature tube 13mm Normally Close

CODE	ØA mm	ØB mm	L mm	Differential Pressure (bar)			Coil		Seal	Temp. Range °C
				Min	Max		Series	Width (mm)		
				AC	DC					
R2KTEC-#CA/// Bob	1.2	4.2	6.2	0	25	25	3000	30	NBR=B	-10 +90
R2KTEC-#CA/// Bob	1.5	4.2	6.2	0	20	20			EPDM=E	-10 +160
R2KTEC-#CA/// Bob	2.0	4.2	6.2	0	13	13			FPM=V	-10 +160
R2KTEC-#CA/// Bob	2.5	4.2	6.2	0	10	10			PTFE=P	-10 +180
R2KTEC-#CA/// Bob	3.0	4.2	6.2	0	6.5	6.5				
R2KTEC-#CA/// Bob	3.5	6.2	6.2	0	5	5				
R2KTEC-#CA/// Bob	1.2	4.2	6.2	0	25	25				

: Please select the sealing type required
 Example: R2KTEC-BCA///3001: 2/2 NC 13mm tube Stainless Steel, NBR, M20x1.5 connection
 Coil 24V DC 10W 30mm

Coils

SERIE	Product Serie	Voltage	Nominal Power			Electrical connection	Connectors
			AC VA Inrush	AC VA Holding	DC Watt		
Series 3000 Width 30mm	3001	24 DC	-	-	10	DIN 43650A	On Demand
	300B	24 AC	15	12	-		
	300E	230 AC	15	12	-		



DESCRIPTION

- Solenoid pilot 3 ways, direct acting type.
- Exhasut orifice 3rd way: 2,4mm
- Switching-On time 15ms.
- Switching-Off time 20ms.

CONSTRUCTION

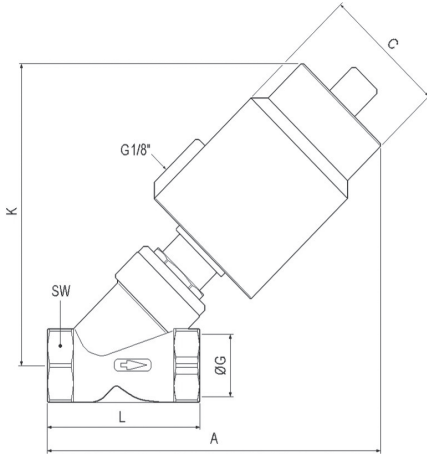
- Armature tube: Stainless Steel AISI 303
- Plunger and core: Stainless steel - 430 Fr
- Springs: Stainless steel - Aisi 302
- Seals material: NBR - FPM - EPDM - PTFE/FKM(*)
- (*) For PTFE main seal version the 3 rd way seal is with FKM

FEATURES

- Maximum allowable pressure: 45bar*
- Maximum fluid viscosity: 27cSt (mm2/s)
- Ambient temperature:
Class F coil -10°C +55°C
Class H coil -10°C +80°C
- Above 80°C please consult our tech department for the application fine tuning
- Universal mounting

2 Ways Angle Seat Valves





Mis. Size	Att. Act.	Dimensioni Dimensions		mm. mm.			Peso Weight
G	DN	C	A	K	L	SW	Kg.
1/2"	40	50.5	124	112	68	27	0.844
3/4"	50	60.0	140	132	75	32	1.130
1"	50	60.0	150	136	90	40	1.380
1"	63	75.0	172	162	90	40	2.130
1-1/4"	63	75.0	190	174	116	50	2.740
1-1/2"	63	75.0	190	175	116	56	2.870
1-1/2"	80	106	235	223	116	56	4.070
2"	80	106	250	232	138	69	6.030



2/2 Serie R2SI Air Actuated Angle Seat Valve

CODE	Connection G ISO 228	Orifice mm	Kv m³/h	Flow under the seat		Flow above the seat		Actuator dimension Hm	Seal	Fluid Temp. Range °C
				Control Pressure	Working Pressure	Control Pressure	Working Pressure			
				Min bar	Max Bar	Min bar	Max Bar			
R2SICDGP13///40	1/2	13	4.7	5	5	5	16	DN 40	PTFE	-10 +180
R2SICEGP18///50	3/4	18	8.6	5	9	5	16	DN 50		
R2SICFGP24///50	1	24	18	5	6	5	16	DN 50		
R2SICFGP24///63	1	24	18	5	11	5	16	DN 63		
R2SICGGP31///63	1 1/4	31	23	5	6	5	16	DN 63		
R2SICHGP35///63	1 1/2	35	33	5	5	5	16	DN 63		
R2SICHGP35///80	1 1/2	35	33	5	8	5	16	DN 80		
R2SICGP45///80	2	45	53	-	-	5	16	DN 80		

Example: R2SICDGP13///40: ASV G1/2" NC Under Seat Valve DN13mm Actuator DN40

Note on compatibility: Valve is suitable for fluids compatibility according to the parts in contact. User is responsible for the compatibility check according to the working conditions.

DESCRIPTION

- Angle Seat Air Actuated Valve 2 ways Normally Closed.
- Stainless Steel body CF8M (Aisi 316).

CONSTRUCTION

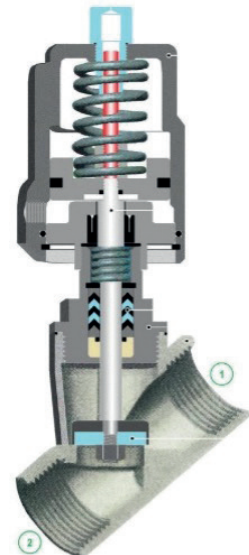
- Body: Stainless Steel CF8M (Aisi 316)
- Piston Housing: Stainless Steel CF8 (Aisi 304)
- Stem: Stainless Steel Aisi 316
- Seat Sealing Disk: PTFE
- Stem Seal: PTFE Chevron

FEATURES

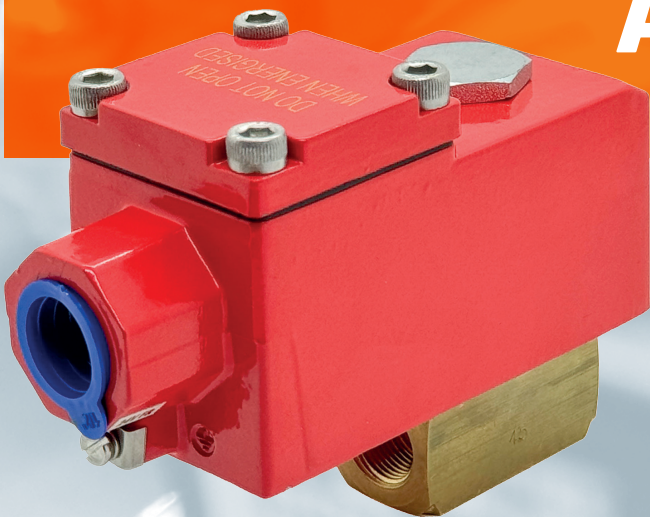
- Flow direction: Under the Seat
- Function: 2/2 Normally Closed
- Maximum fluid viscosity: 600 cSt (mm²/s)
- Ambient temperature: -10°C +60°C
- Pilot fluid: Dry or Lubricated air
- Pilot connection: G 1/8"
- Standard Accessory: Visual Position Indicator
- Universal mounting position

OPTIONS

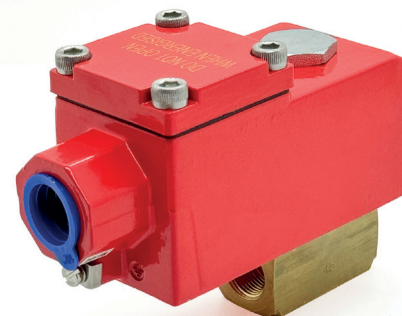
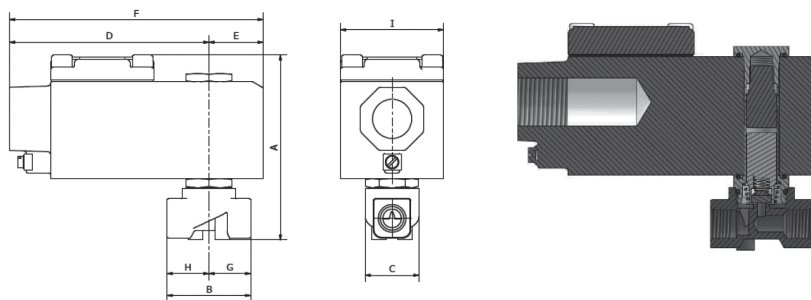
- 3/2 pilot valve on request
- Proportional Flow Configuration
- Others on request



2 Ways Direct Acting ATEX Version



V. TYPE T. VALV.	DIM. A QUOTA A	DIM. B QUOTA B	DIM. C QUOTA C	DIM. D QUOTA D	DIM. E QUOTA E	DIM. F QUOTA F	DIM. G QUOTA G	DIM. H QUOTA H	DIM. I QUOTA I
R2AC G1/8"	90	40	26	97	27	123	20	20	50
R2AC G1/2"	90	40	26	97	27	123	20	20	50
R2AC G3/8"	90	50	25	97	27	123	25	25	50
R2AC G1/4"	90	58	25	97	27	123	29	29	50

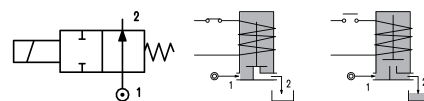


2/2 Serie R2AC-EX Normally Close ATEX Exd

CODE	Connection	Orifice	Kv	Differential Pressure (bar)			Coil		Seal	Temp. Range
				Min	Max		Series	Width (mm)		
					AC (*)	DC (*)				
R2ACCAG#12/EX/ Coil	1/8"	1,2	0.05	0	60	60	50Ax	50	NBR=B	See Coil Datasheet Specs.
R2ACCAG#25/EX/ Coil		2,5	0.15	0	15	15				
R2ACCAG#30/EX/ Coil		3	0.25	0	10	10				
R2ACCBG#12/EX/ Coil	1/4"	1,2	0.05	0	60	60	50Ax	50	EPDM=E	
R2ACCBG#30/EX/ Coil		3	0.25	0	10	10				
R2ACCBG#45/EX/ Coil		4,5	0.41	0	3,5	3,5				
R2ACCCG#30/EX/ Coil	3/8"	3	0.25	0	10	10	50Ax	50	FKM=V	
R2ACCCG#45/EX/ Coil		4,5	0.41	0	3,5	3,5				
R2ACCDG#30/EX/ Coil		3	0.25	0	10	10				
R2ACCDG#45/EX/ Coil	1/2"	3	0.25	0	10	10	50Ax	50	PTFE=P	
R2ACCDG#45/EX/ Coil		4,5	0.41	0	3,5	3,5				

: Please select the sealing type required
 Example: R2ACCBG30/EX/50A1: ISO G1/4" FKM
 Coil 24V DC

(*) Performance with voltage tolerance +/-10%



DESCRIPTION

- Solenoid valve 2 ways, direct acting type.
- Brass body CW617N.
- Switching-On time 18ms.
- Switching-Off time 23ms.
- ATEX Protection Coil Exd

CONSTRUCTION

- Body: Brass CW614N
- Armature tube: Stainless steel Aisi 303
- Plunger and core: Stainless steel 430Fr
- Springs: Stainless steel Aisi 302
- Seal material: NBR - FKM - EPDM - PTFE
- Electrical Housing: Aluminum Epoxy Resin Painted

FEATURES

- Maximum allowable pressure: 100bar*
- Maximum fluid viscosity: 27cSt (mm2/s)
- Ambient temperature:
 Pls refer to the coil 50Ax datasheet available on R2G Fluidics website.
- Protection class: IP66/IP67
- Surge suppressor diode included

OPTIONS

- /R: Stainless steel orifice
- ATEX / IECEx system available on demand
- ATEX housing in AISI 316 on demand

SPARE PARTS

Not available. Repair service available at R2G Fluidics production center.

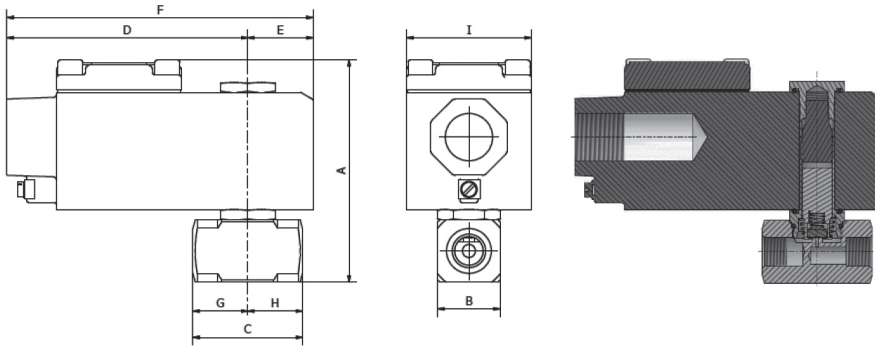
SERIE	Coil P/N	Voltage	Nominal Power			Electrical connection	Connectors
			AC VA Inrush	AC VA Holding	DC Watt		
	50AD	110V DC/AC	-	-	8		
	50AE	230V DC/AC	-	-	8		

Other voltages available on demand.

Atex protection class:

Ex II 2GD Ex db IIC T6/T5 Gb
Ex tb IIIC T80°C/T95°C Db, IP66/IP67
T122 ATEX 278 X
-40°C<Ta<60°C FOR T6
-40°C<Ta<70°C FOR T5

V. TYPE T. VALV.	DIM. A QUOTA A	DIM. B QUOTA B	DIM. C QUOTA C	DIM. D QUOTA D	DIM. E QUOTA E	DIM. F QUOTA F	DIM. G QUOTA G	DIM. H QUOTA H	DIM. I QUOTA I
R2IC G1/4"	90	44	25	97	26	123	22	22	50

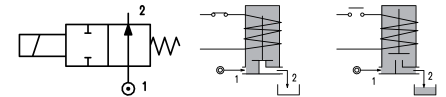


2/2 Serie R2IC-EX Normally Close ATEX Exd

CODE	Connection	Orifice	Kv	Differential Pressure (bar)		Coil		Seal	Temp. Range
				Min	Max	Series	Width (mm)		
	G	mm	m ³ /h	AC (*)	DC (*)				°C
R2ICCBG#12/EX/ Coil	1/4"	1.2	0.05	0	60	50Ax	50	NBR=B EPDM=E FKM=V PTFE=P	See Coil Datasheet Specs.
R2ICCBG#35/EX/ Coil		3.5	0.32	0	8				
R20CCDG#45/EX/ Coil		4.5	0.41	0	3.6				

: Please select the sealing type required
 Example: R2ICCBGV35/EX/50A1: ISO G 1/4" FKM
 Coil 24V DC

(*) Performance with voltage tolerance +/-10%



DESCRIPTION

- Solenoid valve 2 ways, direct acting type.
- Stainless Steel AISI 303.
- Switching-On time 18ms.
- Switching-Off time 23ms.
- ATEX Protection Coil Exd

CONSTRUCTION

- Stainless Steel AISI 303.
- Armature tube: Stainless steel Aisi 303
- Plunger and core: Stainless steel 430Fr
- Springs: Stainless steel Aisi 302
- Seal material: NBR - FKM - EPDM - PTFE
- Electrical Housing: Aluminum Epoxy Resin Painted

FEATURES

- Maximum allowable pressure: 100bar*
- Maximum fluid viscosity: 27cSt (mm2/s)
- Ambient temperature:
Pls refer to the coil 50Ax datasheet available on R2G Fluidics website.
- Protection class: IP66/IP67
- Surge suppressor diode included

OPTIONS

- ATEX / IECEx system available on Demand
- ATEX housing in AISI 316 on demand

SPARE PARTS

Not available. Repair service available at R2G Fluidics production center.

Coils

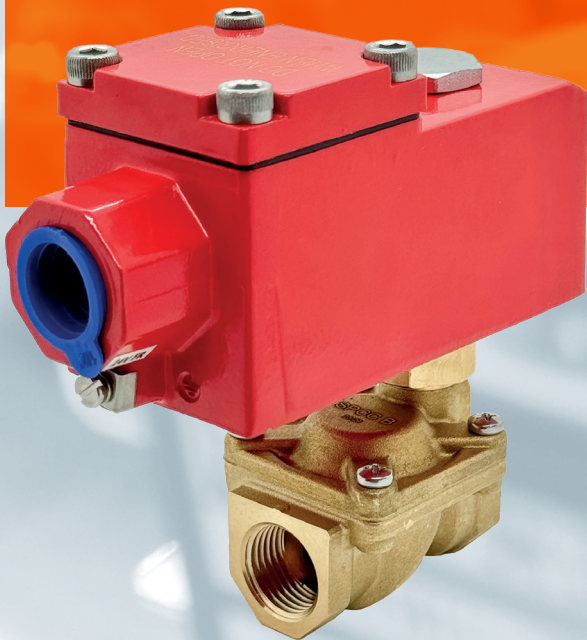
SERIE	Coil P/N	Voltage	Nominal Power			Electrical connection	Connectors
			AC VA Inrush	AC VA Holding	DC Watt		
Series 50Ax Width 50mm	50A1	24V DC/AC	-	-	8	TERMINAL BOX	1/2NPT cable Gland (not included)
	50AD	110V DC/AC	-	-	8		
	50AE	230V DC/AC	-	-	8		

Other voltages available on demand.

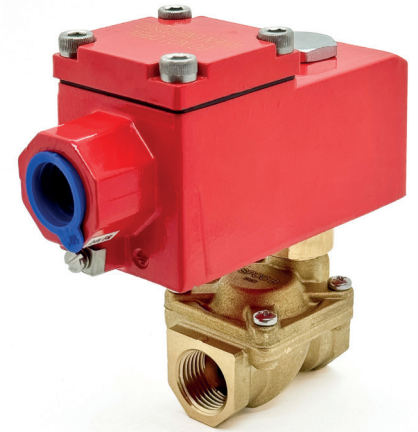
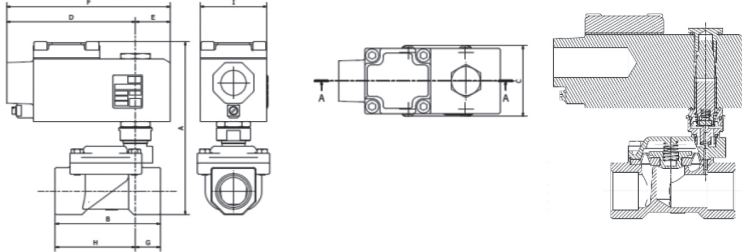
Atex protection class:

Ex db IIC T6/T5 Gb
Ex tb IIIC T80°C/T95°C Db, IP66/IP67
T122 ATEX 278 X
-40°C<Ta<60°C FOR T6
-40°C<Ta<70°C FOR T5

2 Ways Indirect Acting ATEX version



V. TYPE T. VALVOLA	DIM. A QUOTA A	DIM. B QUOTA B	DIM. C QUOTA C	DIM. D QUOTA D	DIM. E QUOTA E	DIM. F QUOTA F	DIM. G QUOTA G	DIM. H QUOTA H	DIM. I QUOTA I
R2SP-A G3/8"	123	58	46	97	27	123	14	44	50
R2SP-A G1/2"	123	58	46	97	27	123	14	44	50
R2SP-A G3/4"	131	78	56	97	27	123	19	60	50
R2SP-A G1"	140	95	74	97	27	123	19	78	50
R2SR G 1 1/4"	151	130	96	97	27	123	23	107	50
R2SR G 1 1/2"	151	130	96	97	27	123	23	107	50
R2SR G 2"	168	155	122	97	27	123	22	133	50



Serie R2SP-R2SR Normally Close ATEX Exd

CODE	Connection	Orifice	Kv	Differential Pressure (bar)			Coil		Seal	Temp. Range
				Min	Max	Series	Width (mm)			
								AC (*)		
R2SPCCG#12/AEX/ Coil	3/8"	13	2.2	0.15	10	10	50Ax	50	NBR=B EPDM=E FKM=V	See Coil Datasheet Specs.
R2SPCDG#12/AEX/ Coil	1/2"	13	2.5	0.15	10	10				
R2SPCEG#18/AEX/ Coil	3/4"	19	5.5	0.15	10	10				
R2SPCFG#25/AEX/ Coil	1"	25	10.2	0.15	10	10				
R2SRCGG#32/EX/ Coil	1" 1/4	32	18	0.15	6	6				
R2SRCHG#40/EX/ Coil	1" 1/2	40	21	0.15	6	6				
R2SRCIG#50/EX/ Coil	2"	50	36	0.15	6	6				

: Please select the sealing type required
Example: R2SPCDGB12/AEX/50A1: ISO G1/2"NBR
Coil 24V DC/AC

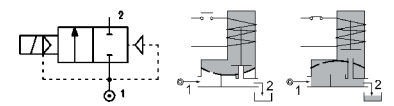
(*) Performance with voltage tolerance +/-10%

SERIE	Coil P/N	Voltage	Nominal Power			Electrical connection	Connectors
			AC VA Inrush	AC VA Holding	DC Watt		
Series 50Ax Width 50mm	50A1	24V DC/AC	-	-	8	TERMINAL BOX	1/2NPT cable Gland (not included)
	50AD	110V DC/AC	-	-	8		
	50AE	230V DC/AC	-	-	8		

Other voltages available on demand.

Atex protection class:

Ex II 2GD Ex db IIC T6/T5 Gb
Ex tb IIIC T80°C/T95°C Db, IP66/IP67
T122 ATEX 278 X
-40°C<Ta<60°C FOR T6
-40°C<Ta<70°C FOR T5



DESCRIPTION

- Solenoid valve 2 ways, indirect acting type.
- Brass body CW617N.
- Switching-On time 30ms (<1/2"), 50ms (3/4" -1"), 150-1000ms (>1 1/4")
- Switching-Off time 50ms (<1/2"), 80ms (3/4" -1"), 150-1000ms (>1 1/4")
- ATEX Protection Coil Exd

CONSTRUCTION

- Body: Brass CW614N
- Armature tube: Stainless steel Aisi 303
- Plunger and core: Stainless steel 430Fr
- Springs: Stainless steel Aisi 302
- Seal material: NBR - FKM - EPDM
- Electrical Housing: Aluminum Epoxy Resin Painted

FEATURES

- Maximum allowable pressure: 26bar
- Maximum fluid viscosity: 25cSt (mm2/s)
- Ambient temperature:
Pls refer to the coil 50Ax datasheet available on R2G Fluidics website.
- Protection class: IP66/IP67
- Surge suppressor diode included

OPTIONS

- ATEX / IECEx system available on Demand
- ATEX housing in AISI 316 on demand

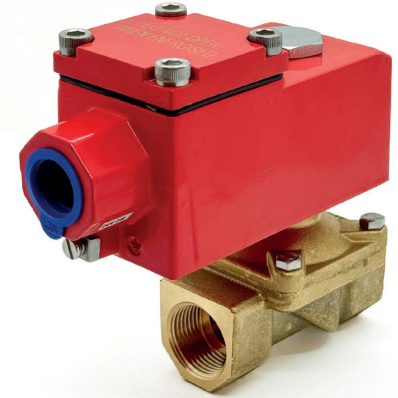
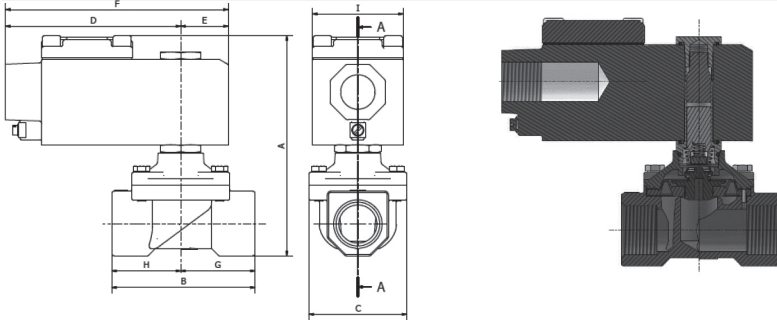
SPARE PARTS

Not available. Repair service available at R2G Fluidics production center.

2 Ways Combined Acting ATEX version



V. TYPE T. VALV.	DIM. A QUOTA A	DIM. B QUOTA B	DIM. C QUOTA C	DIM. D QUOTA D	DIM. E QUOTA E	DIM. F QUOTA F	DIM. G QUOTA G	DIM. H QUOTA H	DIM. I QUOTA I
R2MH G3/8"	110	59	45	26	97	123	31	28	50
R2MH G1/2"	110	59	45	26	97	123	31	28	50
R2MH G3/4"	121	79	54	26	97	123	41	38	50
R2MH G1"	130	96	72	26	97	123	48	48	50

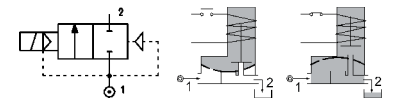


Serie R2MH-EX Normally Close ATEX Exd

CODE	Connection	Orifice	Kv	Differential Pressure (bar)			Coil		Seal	Temp. Range
				Min	Max	Series	Width (mm)			
				AC (*)	DC (*)					
R2MHCCGV12/EX/Coil	3/8"	13	2.2	0	6	50Ax	50	NBR=B	See Coil Datasheet Specs.	
R2MHCDGV12/EX/Coil	1/2"	13	2.5	0	6			EPDM=E		
R2MHCEGV18/EX/Coil	3/4"	19	5.5	0	6			FKM=V		

: Please select the sealing type required
 Example: R2MHCDGV12/EX/50A1: ISO G1/2" FKM
 Coil 24V DC/AC

(*) Performance with voltage tolerance +/-10%



DESCRIPTION

- Solenoid valve 2 ways, combined acting type.
- Brass body CW617N.
- ATEX Protection Coil Exd

CONSTRUCTION

- Body: Brass CW614N
- Armature tube: Stainless steel Aisi 303
- Plunger and core: Stainless steel 430Fr
- Springs: Stainless steel Aisi 302
- Seal material: NBR - FKM - EPDM
- Electrical Housing: Aluminum Epoxy Resin Painted

FEATURES

- Maximum allowable pressure: 26bar
- Maximum fluid viscosity: 25cSt (mm2/s)
- Ambient temperature:
 Pls refer to the coil 50Ax datasheet available on R2G Fluidics website.
- Protection class: IP66/IP67
- Surge suppressor diode included

OPTIONS

- ATEX / IECEx system available on Demand
- ATEX housing in AISI 316 on demand

SPARE PARTS

Not available. Repair service available at R2G Fluidics production center.

Coils

SERIE	Coil P/N	Voltage	Nominal Power			Electrical connection	Connectors
			AC VA Inrush	AC VA Holding	DC Watt		
Series 50Ax Width 50mm	50A1	24V DC/AC	-	-	8	TERMINAL BOX	1/2NPT cable Gland (not included)
	50AD	110V DC/AC	-	-	8		
	50AE	230V DC/AC	-	-	8		

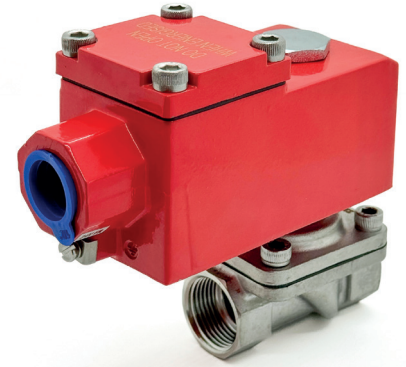
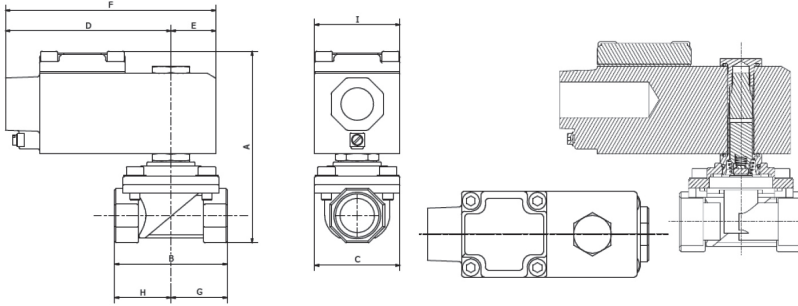
Other voltages available on demand.

Atex protection class:



II 2GD Ex db IIC T6/T5 Gb
Ex tb IIIC T80°C/T95°C Db, IP66/IP67
T122 ATEX 278 X
-40°C<Ta<60°C FOR T6
-40°C<Ta<70°C FOR T5

V. TYPE T. VALV.	DIM. A QUOTA A	DIM. B QUOTA B	DIM. C QUOTA C	DIM. D QUOTA D	DIM. E QUOTA E	DIM. F QUOTA F	DIM. G QUOTA G	DIM. H QUOTA H	DIM. I QUOTA I
R2IH G3/8"	105	66	50	97	27	123	33	33	50
R2IH G1/2"	105	66	50	97	27	123	33	33	50
R2IH G3/4"	113	66	50	97	27	123	33	33	50
R2IH G1"	121	66	61	97	27	123	43	43	50

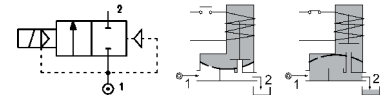


Serie R2IH-EX Normally Close ATEX Exd

CODE	Connection	Orifice	Kv	Differential Pressure (bar)			Coil		Seal	Temp. Range
				Min	Max		Series	Width (mm)		
					AC (*)	DC (*)				
	G	mm	m ³ /h							
	ISO 228									
R2IHCCGV12/EX/Coil	3/8"	12	2.2	0	10	10	50Ax	50	FKM=V	See Coil Datasheet Specs.
R2IHCDGV15/EX/Coil	1/2"	15	2.5	0	10	10				
R2IHCEGV20/EX/Coil	3/4"	20	5.5	0	10	10				
R2IHCFGV25/EX/Coil	1"	25	10.2	0	10	10				

: Please select the sealing type required
 Example: R2IHCDGV20/EX/50A1; ISO G1/2" FKM
 Coil 24V DC/AC

(*) Performance with voltage tolerance +/-10%



DESCRIPTION

- Solenoid valve 2 ways, combined acting type.
- Stainless Steel body AISI304.
- ATEX Protection Coil Exd

CONSTRUCTION

- Body: Stainless Steel AISI 304
- Armature tube: Stainless steel Aisi 303
- Plunger and core: Stainless steel 430Fr
- Springs: Stainless steel Aisi 302
- Seal material: FKM
- Electrical Housing: Aluminum Epoxy Resin Painted

FEATURES

- Maximum allowable pressure: 26bar
- Maximum fluid viscosity: 25cSt (mm²/s)
- Ambient temperature:
Pls refer to the coil 50Ax datasheet available on R2G Fluidics website.
- Protection class: IP66/IP67
- Surge suppressor diode included

OPTIONS

- ATEX / IECEX system available on Demand
- ATEX housing in AISI 316 on demand

SPARE PARTS

Not available. Repair service available at R2G Fluidics production center.

Coils

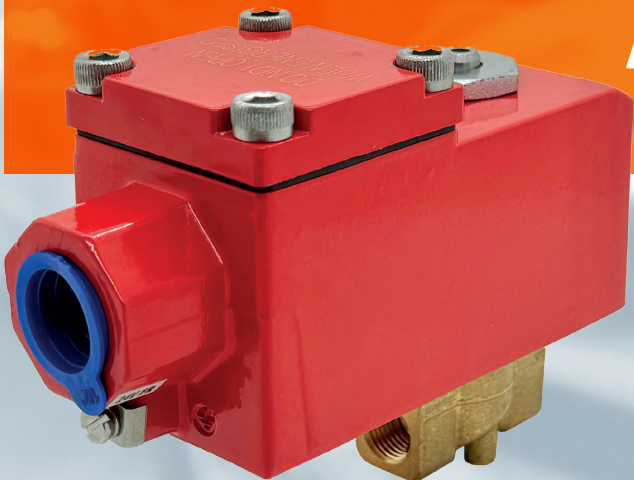
SERIE	Coil P/N	Voltage	Nominal Power			Electrical connection	Connectors
			AC VA Inrush	AC VA Holding	DC Watt		
Series 50Ax Width 50mm	50A1	24V DC/AC	-	-	8	TERMINAL BOX	1/2NPT cable Gland (not included)
	50AD	110V DC/AC	-	-	8		
	50AE	230V DC/AC	-	-	8		

Other voltages available on demand.

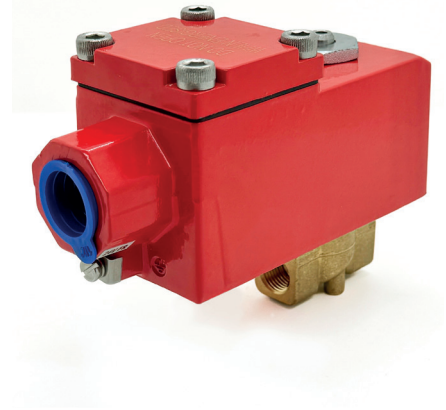
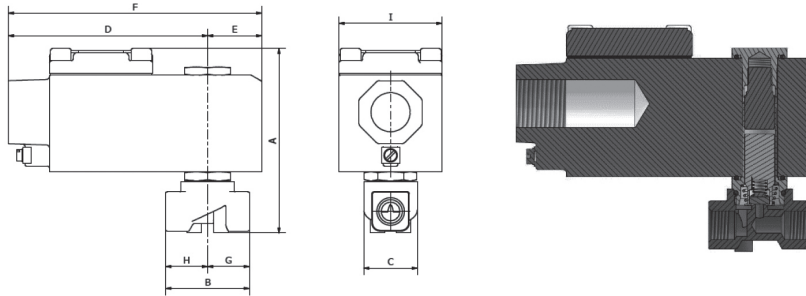
Atex protection class:

Ex II 2GD Ex db IIC T6/T5 Gb
Ex tb IIIC T80°C/T95°C Db, IP66/IP67
T122 ATEX 278 X
-40°C<Ta<60°C FOR T6
-40°C<Ta<70°C FOR T5

3 Ways Direct Acting ATEX version



V. TYPE T. VALV.	DIM. A QUOTA A	DIM. B QUOTA B	DIM. C QUOTA C	DIM. D QUOTA D	DIM. E QUOTA E	DIM. F QUOTA F	DIM. G QUOTA G	DIM. H QUOTA H	DIM. I QUOTA I	WEIGHT PESO
R2AC G1/8"	90	40	26	97	27	123	20	20	50	
R2AC G1/2"	90	40	26	97	27	123	20	20	50	
R2AC G3/8"	90	50	25	97	27	123	25	25	50	
R2AC G17"	90	58	25	97	27	123	29	29	50	

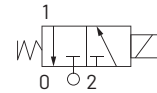


3/2 Serie R2ACT-EX Normally Close ATEX Exd

CODE	Connection G ISO 228	Orifice mm	Kv m³/h	Differential Pressure (bar)			Coil		Seal	Temp. Range °C
				Min	Max		Series	Width (mm)		
					AC (*)	DC (*)				
R2ACTCAG#12/EX/ Coil	1/8"	1,2	0,05	0	25	25	50Ax	50	NBR=B	See Coil Datasheet Specs.
R2ACTCAG#25/EX/ Coil		2,5	0,15	0	10	10				
R2ACTCAG#30/EX/ Coil		3	0,25	0	6,5	6,5				
R2ACTCBG#12/EX/ Coil	1/4"	1,2	0,05	0	25	25	50Ax	50	EPDM=E	
R2ACTCBG#25/EX/ Coil		2,5	0,15	0	10	10				
R2ACTCBG#30/EX/ Coil		3	0,25	0	6,5	6,5				
R2ACTCCG#25/EX/ Coil	3/8"	2,5	0,15	0	10	10	50Ax	50	FKM=V	
R2ACTCCG#30/EX/ Coil		3	0,25	0	6,5	6,5				
R2ACTCDG#25/EX/ Coil	1/2"	2,5	0,15	0	10	10	50Ax	50	PTFE=P	
R2ACTCDG#30/EX/ Coil		3	0,25	0	6,5	6,5				

: Please select the sealing type required
Example: R2ACTCBGV30/EX/50A1: ISO G1/2" FKM
Coil 24V DC

(*) Performance with voltage tolerance +/-10%



DESCRIPTION

- Solenoid valve 3 ways, direct acting type.
- Brass body CW617N.
- Switching-On time 18ms.
- Switching-Off time 23ms.
- ATEX Protection Coil Exd

CONSTRUCTION

- Body: Brass CW614N
- Armature tube: Stainless steel Aisi 303
- Plunger and core: Stainless steel 430Fr
- Springs: Stainless steel Aisi 302
- Seal material: NBR - FKM - EPDM - PTFE
- Electrical Housing: Aluminum Epoxy Resin Painted

FEATURES

- Maximum allowable pressure: 100bar*
- Maximum fluid viscosity: 27cSt (mm²/s)
- 3rd way orifice: 2,5mm
- Ambient temperature:
Pls refer to the ATEX Exd RED Certificate available on R2G Fluidics website under Download Area.
- IP66/IP67
- Surge suppressor diode included

OPTIONS

- /R: Stainless steel orifice
- ATEX / IECEx system available on Demand (Blu coil)
- ATEX housing in AISI 316 on demand

SPARE PARTS

Not available. Repair service available at R2G Fluidics production center.

Coils

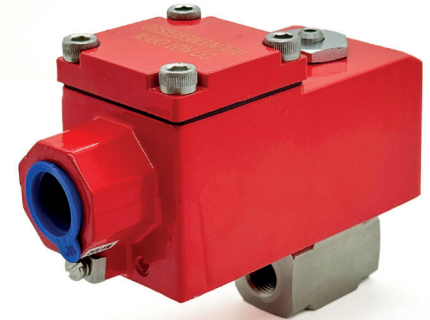
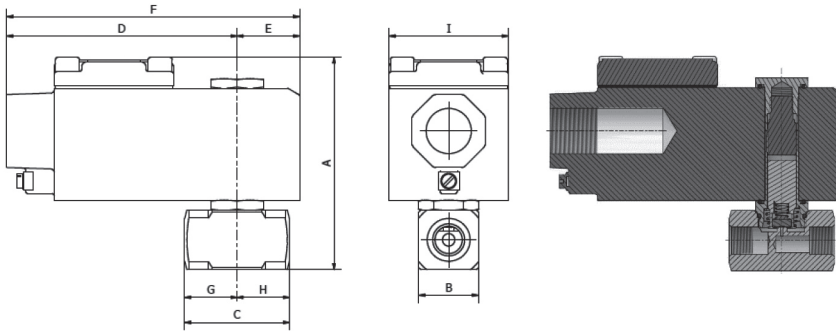
SERIE	Coil P/N	Voltage	Nominal Power			Electrical connection	Connectors
			AC VA Inrush	AC VA Holding	DC Watt		
Series 50Ax Width 50mm	50A1	24V DC/AC	-	-	8	TERMINAL BOX	1/2NPT cable Gland (not included)
	50AD	110V DC/AC	-	-	8		
	50AE	230V DC/AC	-	-	8		

Other voltages available on demand.

Atex protection class:

Ex II 2GD Ex db IIC T6/T5 Gb
Ex tb IIIC T80°C/T95°C Db, IP66/IP67
T122 ATEX 278 X
-40°C<Ta<60°C FOR T6
-40°C<Ta<70°C FOR T5

V. TYPE T. VALV.	DIM. A QUOTA A	DIM. B QUOTA B	DIM. C QUOTA C	DIM. D QUOTA D	DIM. E QUOTA E	DIM. F QUOTA F	DIM. G QUOTA G	DIM. H QUOTA H	DIM. I QUOTA I
R2IC G1/4"	90	44	25	97	26	123	22	22	50

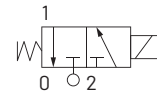


3/2 Serie R2ICT-EX Normally Close ATEX Exd

CODE	Connection	Orifice	Kv	Differential Pressure (bar)			Coil		Seal	Temp. Range
				Min	Max		Series	Width (mm)		
				AC (*)	DC (*)					
R2ICTCBG#12/EX/ Coil	1/4"	1.2	0.05	0	25	25	50Ax	50	NBR=B EPDM=E FKM=V PTFE=P	See Coil Datasheet Specs.
R2ICTCBG#25/EX/ Coil		2.5	0.15	0	10	10				
R2ICTCBG#30/EX/ Coil		3	0.25	0	6.5	6.5				

: Please select the sealing type required
Example: R2ICTCBGV30/EX/50A1: ISO G/4" FKM
Coil 24V DC

(*) Performance with voltage tolerance +/-10%



DESCRIPTION

- Solenoid valve 3 ways, direct acting type.
- Stainless Steel Body AISI 303
- Switching-On time 18ms.
- Switching-Off time 23ms.
- ATEX Protection Coil Exd

CONSTRUCTION

- Body: Stainless Steel AISI303
- Armature tube: Stainless steel Aisi 303
- Plunger and core: Stainless steel 430Fr
- Springs: Stainless steel Aisi 302
- Seal material: NBR - FKM - EPDM - PTFE
- Electrical Housing: Aluminum Epoxy Resin Painted

FEATURES

- Maximum allowable pressure: 100bar*
- Maximum fluid viscosity: 27cSt (mm2/s)
- 3rd way orifice: 2,5mm
- Ambient temperature:
Pls refer to the ATEX Exd RED Certificate available on R2G Fluidics website under Download Area.
- IP66/IP67
- Surge suppressor diode included

OPTIONS

- ATEX / IECEx system available on Demand (Blu coil)
- ATEX housing in AISI 316 on demand

SPARE PARTS

Not available. Repair service available at R2G Fluidics production center.

SERIE	Coil P/N	Voltage	Nominal Power			Electrical connection	Connectors
			AC VA Inrush	AC VA Holding	DC Watt		
			Series 50Ax Width 50mm	50A1	24V DC/AC		
50AD	110V DC/AC	-	-	8			
50AE	230V DC/AC	-	-	8			

Other voltages available on demand.

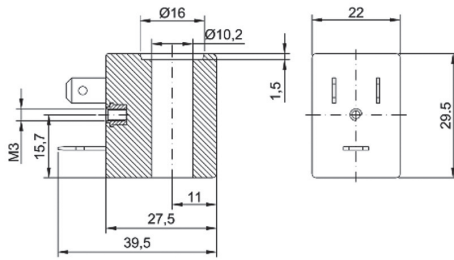
Atex protection class:

Ex II 2GD Ex db IIC T6/T5 Gb
Ex tb IIIC T80°C/T95°C Db, IP66/IP67
T122 ATEX 278 X
-40°C<Ta<60°C FOR T6
-40°C<Ta<70°C FOR T5

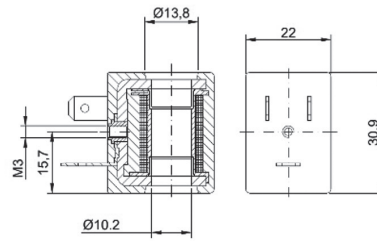
Accessories



Serie 2800



Serie 2200



Serie 2800/2200 – 22mm coil – 10mm Armature Tube

CODE		Voltage - Frequency (V) - (Hz)	Power		Voltage Tolerance %	Service ED %	Note
Class F	Class H		AC (VA)	DC (W)			
280A (*)	282A (*)	12V 50/60Hz	11,5		+15% -10%	100%	Standard Assembly
280B	282B (*)	24V 50/60Hz					
280C (*)	282C (*)	48V 50/60Hz					
280D	282D (*)	110V 50/60Hz					
280E	282E (*)	220/230V 50/60Hz					
2800 (*)	2820 (*)	12V DC	7		+/-10%	100%	
2801	2821 (*)	24V DC					
220A (*)	222A (*)	12V 50/60Hz	8		+15% -10%	100%	Standard and Upside-Down Assembly
220B	222B (*)	24V 50/60Hz					
220C (*)	222C (*)	48V 50/60Hz					
220D (*)	222D (*)	110V 50/60Hz					
220E	222E (*)	220/230V 50/60Hz					
2200 (*)	2220 (*)	12V DC	6.5		+/-10%	100%	
2201	2221 (*)	24V DC					

(*) Available on request

DESCRIPTION

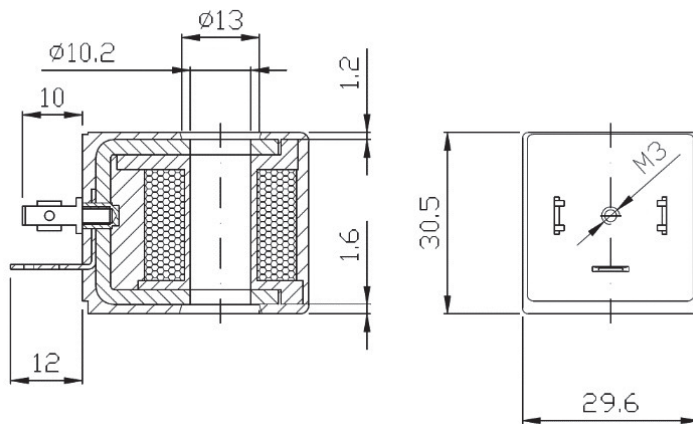
- Encapsulated coil
- Electrical connection according to DIN 43650 B.

CONSTRUCTION

- Encapsulation:
Class F: Fiber-Glass reinforced Nylon
Class H: Fiber-Glass reinforced Polyester
- Magnetic circuit: Zinc-plated steel
- Windings: Class H insulated copper wires
- Ambient Temperature:
Class F: -10°C +55°C
Class H: -10°C +80°C

OPTIONS

- Special powers on request
- Special voltages on request


Serie 3A00 – 30mm Coil – 10mm Armature Tube

CODE		Voltage - Frequency (V) - (Hz)	Power		Voltage Tolerances %	Service ED %	Note
Class F	Class H		AC (VA)	DC (W)			
3A0A (*)	3A2A (*)	12V 50/60Hz	11		+15% -10%	100%	Standard assembly
3A0B	3A2B (*)	24V 50/60Hz					
3A0C (*)	3A2C (*)	48V 50/60Hz					
3A0D (*)	3A2D (*)	110V 50/60Hz					
3A0E	3A2E (*)	220/230V 50/60Hz					
3A00 (*)	3A20 (*)	12V DC	5	+/-10%	100%		
3A01	3A21 (*)	24V DC					

(*) Available on request

DESCRIPTION

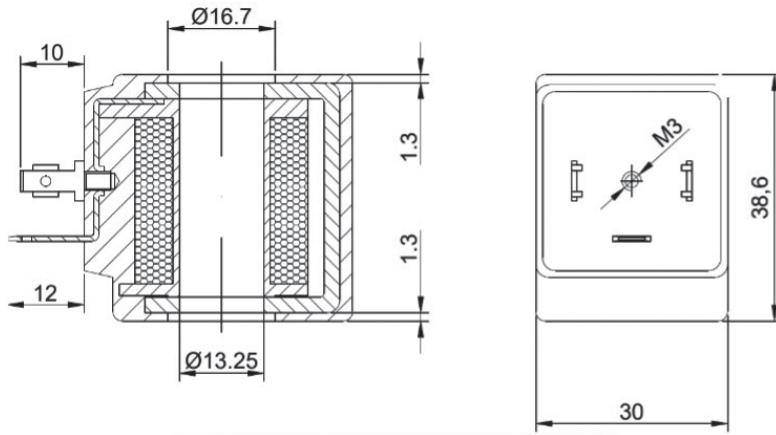
- Encapsulated coil
- Electrical connection according to DIN 43650 A (EN 175301-803 ISO 4400).

CONSTRUCTION

- Encapsulation:
Class F: Fiber-Glass reinforced Nylon
Class H: Fiber-Glass reinforced Polyester
- Magnetic circuit: Zinc-plated steel
- Windings: Class H insulated copper wires
- Ambient Temperature:
Class F: -10°C +55°C
Class H: -10°C +80°C

OPTIONS

- Special powers on request
- Special voltages on request



Serie 3000 – 30mm Coil – 13mm Armature Tube

CODE		Voltage - Frequency (V) - (Hz)	Power		Voltage Tolerances %	Service ED %	Note
Class F	Class H		AC (VA)	DC (W)			
300A (*)	302A (*)	12V 50/60Hz	15		+15% -10%	100%	Standard assembly
300B	302B (*)	24V 50/60Hz					
300C (*)	302C (*)	48V 50/60Hz					
300D	302D (*)	110V 50/60Hz					
300E	302E (*)	220/230V 50/60Hz					
3000	3020 (*)	12V DC	10		+/-10%	100%	
3001	3021 (*)	24V DC					

(*) Available on request

DESCRIPTION

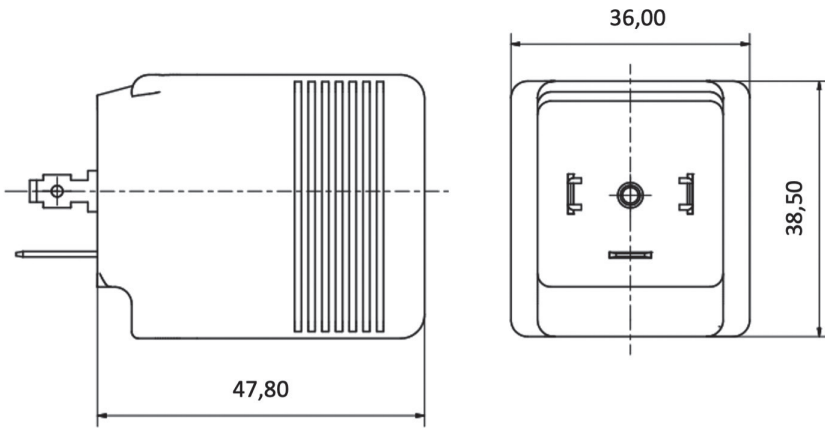
- Encapsulated coil
- Electrical connection according to DIN 43650 A (EN 175301-803 ISO 4400).

CONSTRUCTION

- Encapsulation:
Class F: Fiber-Glass reinforced Nylon
Class H: Fiber-Glass reinforced Polyester
- Magnetic circuit: Zinc-plated steel
- Windings: Class H insulated copper wires
- Ambient Temperature:
Class F: -10°C +55°C
Class H: -10°C +80°C

OPTIONS

- Special powers on request
- Special voltages on request



Serie 3600 – 36mm Coil – 13mm Armature Tube

CODE		Voltage - Frequency (V) - (Hz)	Power		Voltage Tolerances %	Service ED %	Note
Class F	Class H		AC (VA)	DC (W)			
360A (*)	362A (*)	12V 50/60Hz	30		+15% -10%	100%	Standard assembly
360B	362B (*)	24V 50/60Hz					
360C (*)	362C (*)	48V 50/60Hz					
360D	362D (*)	110V 50/60Hz					
360E	362E (*)	220/230V 50/60Hz					
3600 (*)	3620 (*)	12V DC	24	+/-10%	100%		
3601	3621 (*)	24V DC					

(*) Available on request

DESCRIPTION

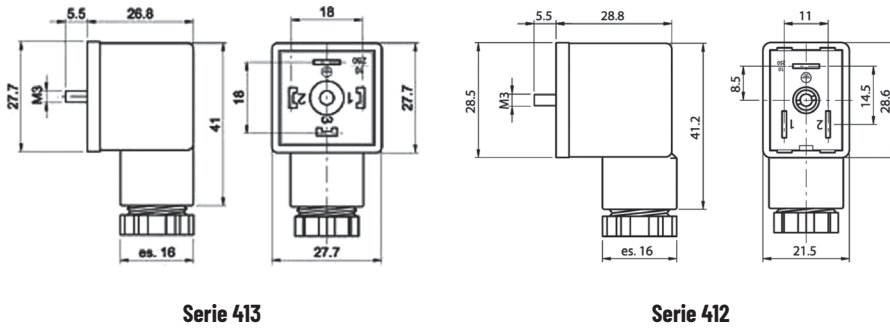
- Encapsulated coil
- Electrical connection according to DIN 43650 A (EN 175301-803 ISO 4400).

CONSTRUCTION

- Encapsulation:
Class F: Fiber-Glass reinforced Nylon
Class H: Fiber-Glass reinforced Polyester
- Magnetic circuit: Zinc-plated steel
- Windings: Class H insulated copper wires
- Ambient Temperature:
Class F: -10°C +55°C
Class H: -10°C +80°C

OPTIONS

- Special powers on request
- Special voltages on request

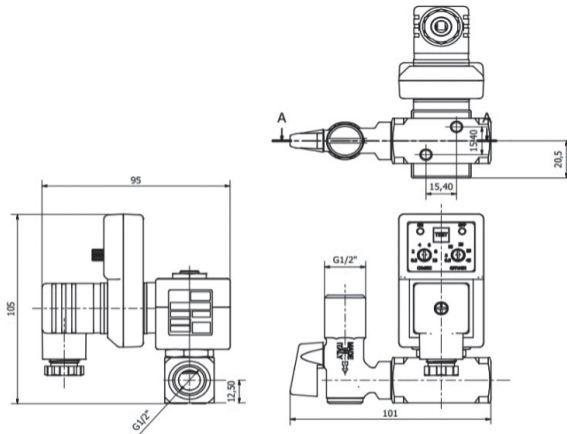


Electrical plug Serie 412 / 413

SERIE	Part Number	Electrical connection	Contact Distance	Cable Gland
Serie 412	412 212 09C	Industrial Standard 22 mm EN 175301-803 (ex DIN 43650) Form B	11 mm	Pg.9
Serie 413	413 012 09C	EN 175301-803 (ex DIN 43650) Form A	18 mm	Pg.9

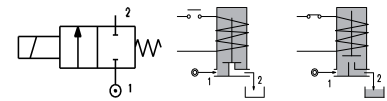
DESCRIPTION

- Electrical plug for Solenoid Valves.
- Protection Class IP65
- Gland Size: PG9
- Electrical Connection: 2 + PE
- Working temperature: -40°C +90°C
- Voltage: AC/DC max. 250V
- Fixing Screw: M3 Central position
- Weight: 0,02Kg



2/2 Serie R2SC Automatic Drain System

CODE	Connections IN-OUT G ISO 228	Orifice mm	Kv m3/h	Differential Pressure (bar)			Coil		Seal	Temp. Range °C
				Min	Max		Series	Width (mm)		
					AC	DC				
R2SCCDGV25/// Coil	G 1/2" - G 1/2"	2.5	0.15	0	16	15	3000	30	FPM=V	-10 +160
R2SCCDGV30/// Coil		3.0	0.25	0	15	10				
R2SCCDGV35/// Coil		3.5	0.32	0	10	8				
R2SCCDGV45/// Coil		4.5	0.41	0	6	4				
R2SCCDGV25/// Coil		2.5	0.15	0	35	32				
R2SCCDGV30/// Coil		3.0	0.25	0	25	24				
R2SCCDGV35/// Coil		3.5	0.32	0	20	19	3600	36		
R2SCCDGV45/// Coil		4.5	0.41	0	14	13				
R2SCCBGV25/// Coil		2.5	0.15	0	16	15				
R2SCCBGV30/// Coil		3.0	0.25	0	15	10				
R2SCCBGV35/// Coil		3.5	0.32	0	10	8				
R2SCCBGV45/// Coil		4.5	0.41	0	6	4				
R2SCCBGV25/// Coil	G 1/2" - G 1/4"	2.5	0.15	0	35	32	3000	30	FPM=V	-10 +160
R2SCCBGV30/// Coil		3.0	0.25	0	25	24				
R2SCCBGV35/// Coil		3.5	0.32	0	20	19				
R2SCCBGV45/// Coil		4.5	0.41	0	14	13				
R2SCCBGV25/// Coil		2.5	0.15	0	35	32				
R2SCCBGV30/// Coil		3.0	0.25	0	25	24				
R2SCCBGV35/// Coil	3.5	0.32	0	20	19	3600	36			
R2SCCBGV45/// Coil	4.5	0.41	0	14	13					



DESCRIPTION

- Solenoid valve 2 ways, direct acting type.
- Manual ball valve with filter
- Timer: Ton 0.5-10 sec adjustable
Toff 0.5-45 min adjustable
- Electric plug: R413 012 09C

CONSTRUCTION

- Body: Brass CW614N
- Armature tube: Stainless steel Aisi 303
- Plunger and core: Stainless steel 430Fr
- Springs: Stainless steel Aisi 302
- Seal material: FPM

FEATURES

- Maximum allowable pressure: 45bar*
- Maximum fluid viscosity: 27cSt (mm2/s)
- Ambient temperature: with class F coil -10°C +55°C
- Timer with LED indication for ON/OFF
- Timer power consumption 4mA
- Protection degree: IP65
- Universal mounting position

OPTIONS

- /W2: Drain system without Timer and electric plug
- Electroless nickel plating
- Others on request

SPARE PARTS

1. Coil fixing nut
2. Coil
3. Mobile plunger assembly
4. Armature tube kit

SERIE	Coil P/N	Voltage	Nominal Power			Electrical connection	Connectors
			AC VA Inrush	AC VA Holding	DC Watt		
Series 3000 Width 30mm	3001	24DC	-	-	10	DIN 43650A	On Demand
	300B	24 AC	15	12	-		
	300E	230 AC	15	12	-		
Series 3600 Width 36mm	3601	24DC	-	-	24	DIN 43650A	On Demand
	360B	24 AC	30	24	-		
	360E	230 AC	30	24	-		

Other voltages on request

R2G

FLUIDICS

R2G Fluidics S.r.l.

Sede Operativa / Offices & Manufacturing Facility

Via Dell'Industria, 9
20875 Burago Molgora (MB) - ITALY

Sede Legale / Headquarter

Via Turati, 6
20121 Milano (MI) - ITALY

+39 338 1431375

vendite@r2g-fluidics.com

www.r2g-fluidics.com



ISO 9001:2015

Certificate No: IT/1406Q/1440